

КАТАЛОГ ДЕТАЛЕЙ

2004 WIC
ДЕФОЛИАТОР

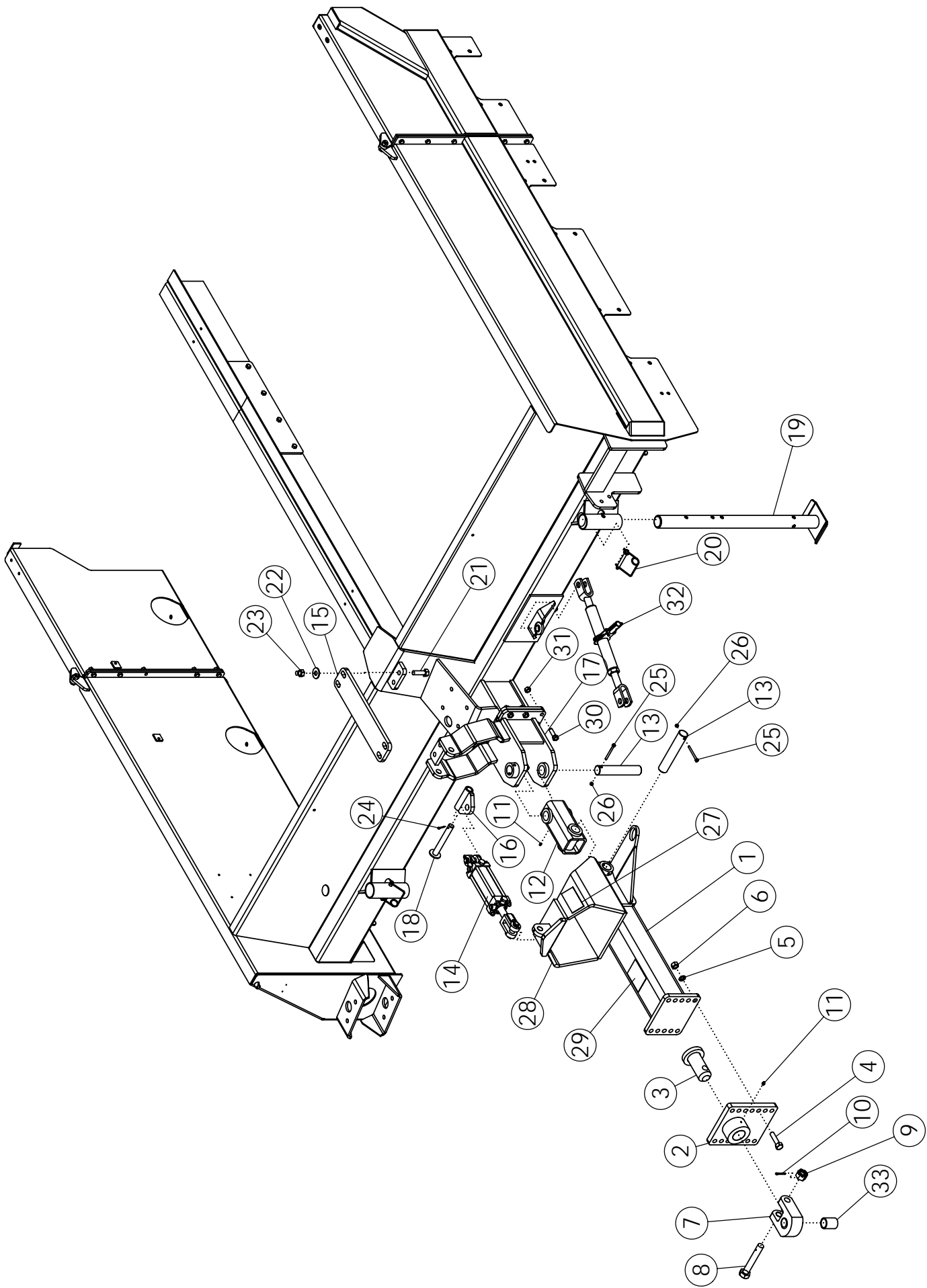


2800 7TH Avenue North
Fargo, ND 58102

Телефон: (701) 232-4199
Факс: (701) 234-1716
www.amitytech.com

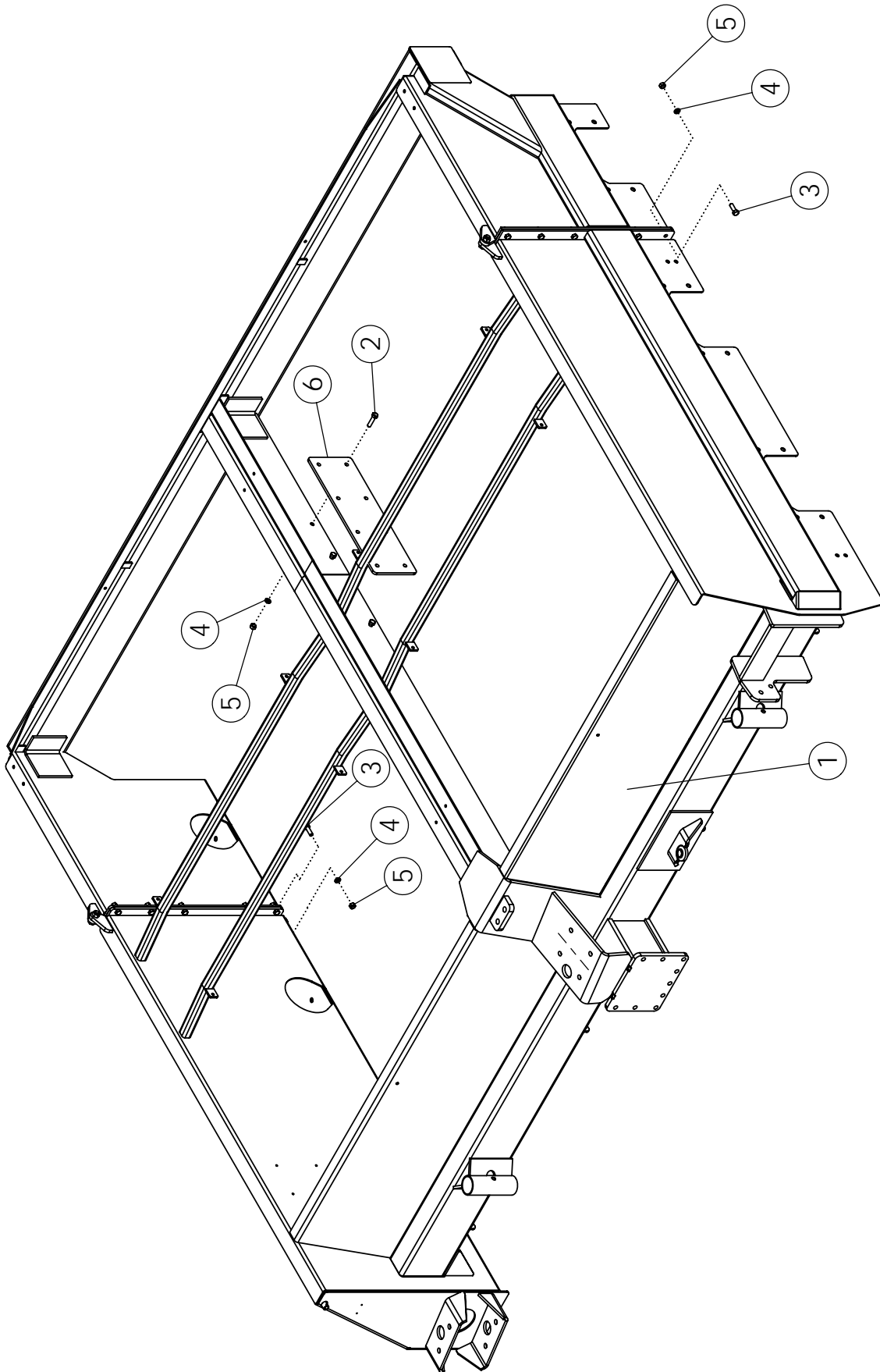
TABLE OF CONTENTS

HITCH ASSEMBLY.....	1-2
MAIN FRAME COMPONENTS.....	3-4
DRIVE TRAIN.....	5-6
#1 FLAILS.....	7-8
#2 FLAILS.....	9-10
#3 FLAILS.....	11-12
FLAIL TUBES.....	13-14
FLAIL TUBE MOUNTING.....	15-16
FLAIL TUBE MOUNTING: STEEL FRONT DRUM.....	17-18
DOORS AND SHIELDS.....	19-20
STANDARD REAR STRUTS.....	21-22
SCALPER BAR ASSEMBLY.....	23-24
SCALPER BASKET.....	25-26
HYDRAULIC SYSTEM.....	27-28
LIGHT KIT.....	29-30
GEARBOX-L TYPE (1.57:1).....	31-32
GEARBOX-L TYPE (1:1).....	31-32
GEARBOX-T TYPE (1:1.57).....	33-34
GEARBOX-T TYPE (1.57:1).....	33-34
GEARBOX-T TYPE (1:1 W/Overrun).....	35-36
STANDARD PTO	37-38
1-3/8" CONSTANT VELOCITY PTO.....	39-40
1-3/4" CONSTANT VELOCITY PTO.....	41-42
CLUTCH-TORQUE LIMITER.....	43-44
FRONT SIDE DRIVELINE.....	45-46
SIDE DRIVELINE.....	45-46
HYDRAULIC CYLINDER 2X6.....	47-48
HYDRAULIC CYLINDER 4X8.....	49-50
MASTER CYLINDER 2-1/4"X8".....	51-52
SLAVE CYLINDER 2"X8".....	51-52



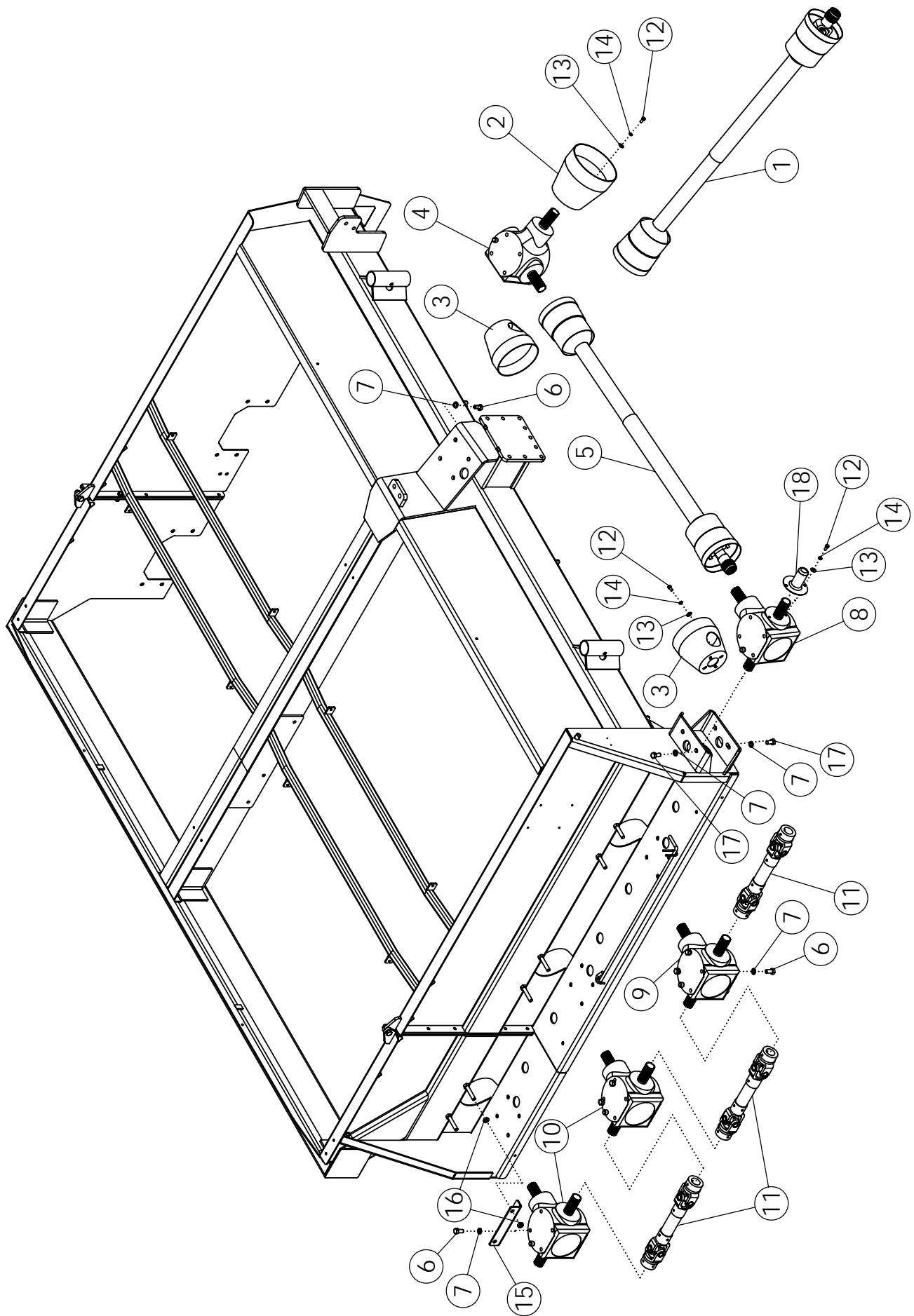
HITCH ASSEMBLY

ITEM	PART NO.	DESCRIPTION	QTY
1	62603	WLDMT-HITCH DEFOLIATOR	1
2	57930	WLDMT-HITCH PLATE	1
3	62101	WLDMT-PIN	1
4	1012059	BOLT- .75 X3.00 NC GR5 ZP	6
5	1012061	WASHER-LOCK: .75 ZP	6
6	1011620	NUT: .75 NC	6
7	64476	PLATE-PULL HITCH	1
8	62477	BOLT-HITCH DRILLED	1
9	62088	NUT-SLOTTED: 1.13 NC GR5 ZP	1
10	1013473	PIN-COTTER: .19 X2.00 NP	1
11	1011748	ZERK-GREASE .25 UNF STRAIGHT	3
12	52072	WLDMT-PIVOT	1
13	51559	PIN	2
14	58891	CYLINDER-HYDRAULIC 4 X 8" 3000	1
15	59644	PLATE - 0622	1
16	51815	WLDMT-CLEVIS	1
17	63709	WLDMT-HITCH FRONT 6R	1
18	51731	PIN-FRONT HITCH CLEVIS	1
19	52073	WLDMT-STAND	2
20	52408	SPRING PIN .50" X 3.50"	2
21	1016598	BOLT- .75 X 2.50 NC GR5 ZP	4
22	1030702	WASHER-FLAT .75 ZP	4
23	1017000	NUT-TOPLOCK .75 NC GR5 ZP	4
24	1011984	PIN-COTTER .16 X 1.50 ZP	1
25	1030701	BOLT-HEX .31 X 3.50 NC	2
26	1030700	NUT-HEX: .31 NC GR5 ZP	2
27	52338R	DECAL-DANGER ROT	1
28	52328R	DECAL-LUBRICATION	1
29	52248R	DECAL-CAUTION	1
30	1011623	BOLT-HEX HEAD	9
31	1016595	NUT-TOPLOCK: .63 ND GR5 ZP	9
32	52407	RATCHET JACK-PAINTED	1
33	64614	SLEEVE 1.38 (optional - to fit tractor)	1
	64615	SLEEVE 1.25 (optional - to fit tractor)	



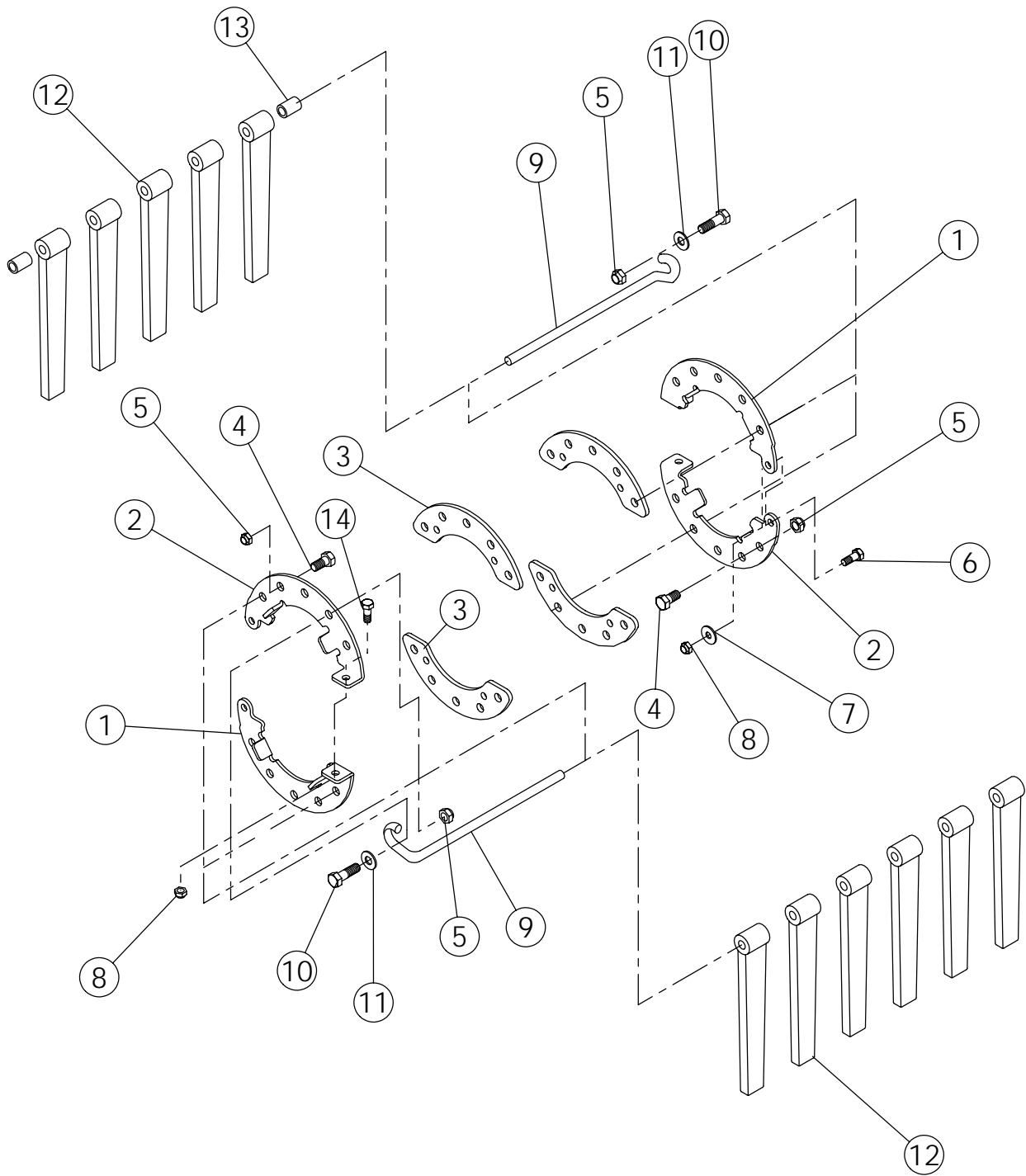
MAIN FRAME ASSEMBLY

ITEM	PART NO.	DESCRIPTION	QTY
1	63682	MAIN FRAME-SPLIT 6R STEEL	1
2	1011609	BOLT-HEX: .50 x 2.00 NC GR5 ZP	8
3	1011607	BOLT-HEX: .50 x 1.50 NC GR5 ZP	23
4	1011581	WASHER-LOCK: .50 ZP	31
5	1011577	NUT-HEX: .50 NC GR2 ZP	31
6	51848	PLATE-SUPPORT	2



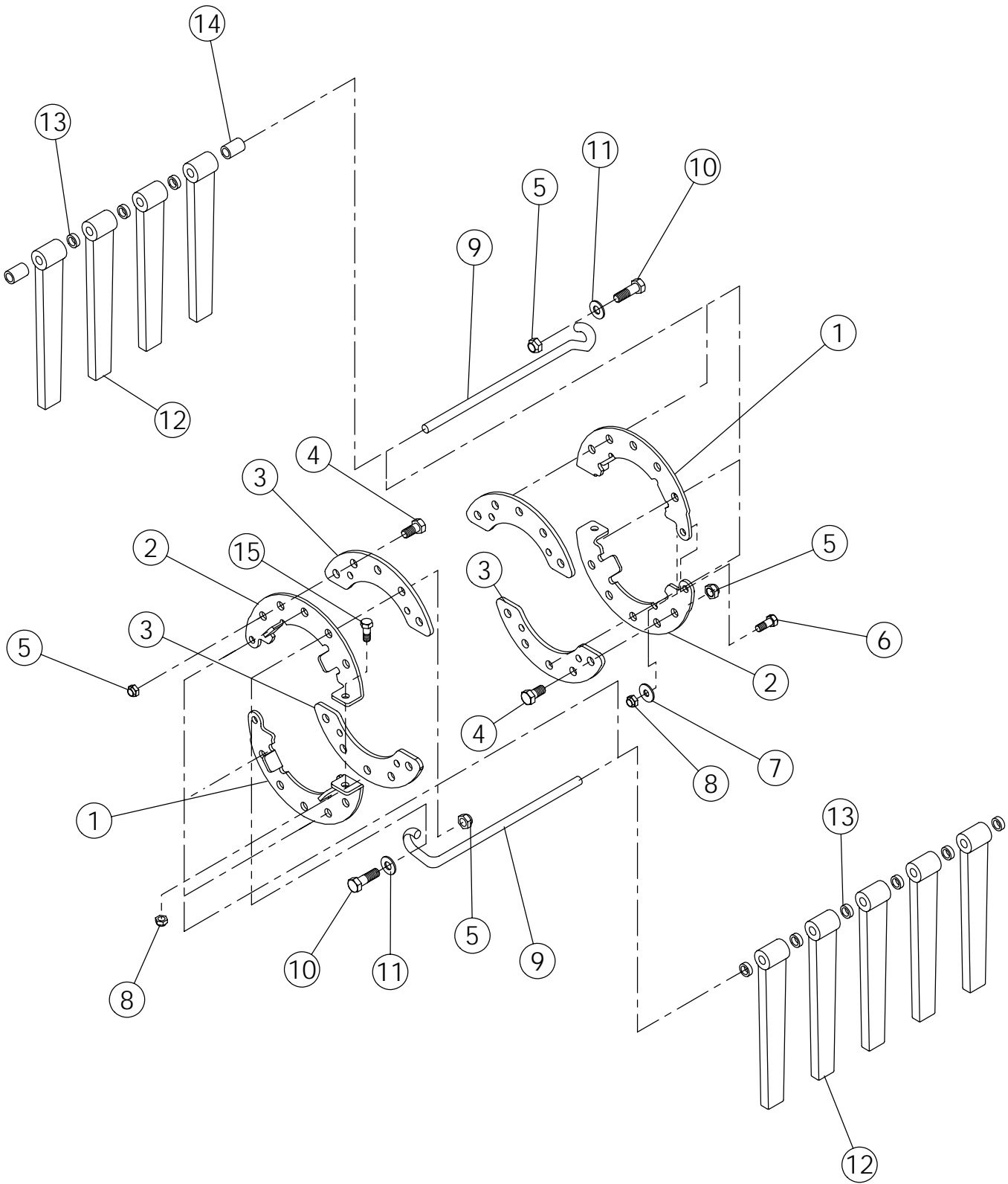
DRIVE TRAIN

ITEM	PART NO.	DESCRIPTION	QTY
1	63684	PTO-STD 32 X 38, 8 SPL EXP	1
2	52389	SHIELD CONE-LARGE	1
3	63972	SHIELD CONE-SMALL DRILLED	2
4	52391	GEARBOX 1.57:1 2 WAY	1
5	52399	PTO CROSS SHAFT 40624	1
6	1030703	BOLT-HEX: .63 X 1.25 NF GR5 ZP	22
7	1011813	WASHER-LOCK: .63 ZP	26
8	59189	GEARBOX 1:1 2 WAY W/CLUTCH	1
9	52393	GEARBOX 1.57:1 (STUDDER FLAIL)	1
	52379	GEARBOX 1:1.57 (STEEL FLAIL)	
10	52393	GEARBOX 1.57:1	2
11	52397	DRIVELINE-SIDE	3
12	1011599	BOLT-HEX: .38 X .75 NC GR5 ZP	14
13	1011828	WASHER-FLAT: .38 ZP	14
14	1011586	WASHER-LOCK: .38 ZP	14
15	57020	ANGLE	3
16	1026259	NUT-JAM: .63 NC GR2 ZP	12
17	1032509	BOLT-HEX: .63 X 1.25 NC GR5 ZP	4
18	59762	COVER-SHAFT	1



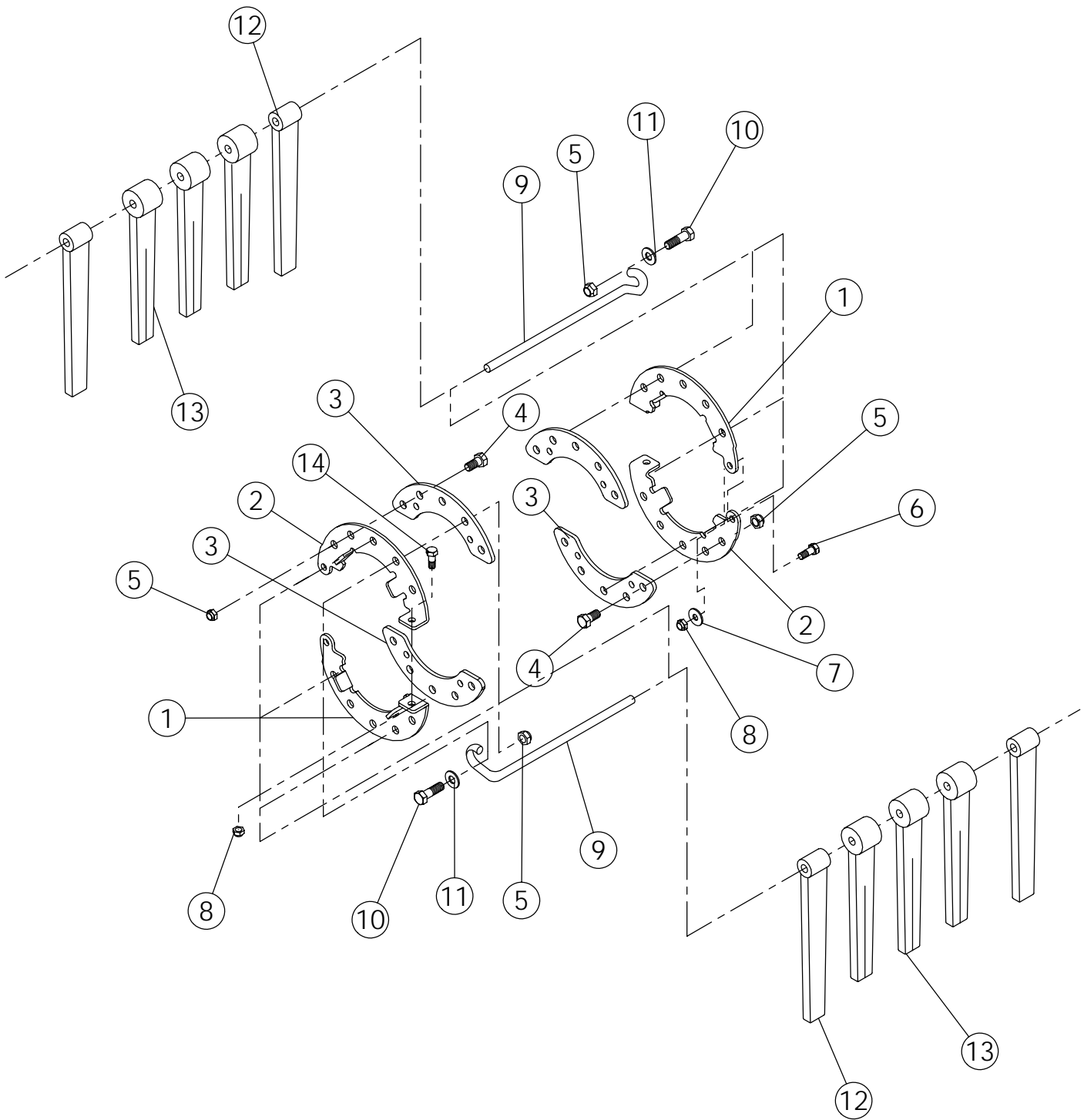
FLAILS ON #1 TUBE #52123

ITEM	PART NO.	DESCRIPTION	QTY
1	52062	FLAIL RING-LH	2
2	52061	FLAIL RING-RH	2
3	58084	PLATE-REINFORCEMENT ZP	4
4	1032509	BOLT-HEX: .63 X 1.25 NC GR5 ZP	8
5	1016595	NUT-TOPLOCK: .63 NC GR5 ZP	12
6	1011606	BOLT-HEX: .50 X 1.25 NC GR5 ZP	2
7	1014443	WASHER-FLAT: .50 ZP	2
8	1027461	NUT-TOPLOCK: .50 NC GR5 ZP	4
9	51839	FLAIL ROD	4
10	1011623	BOLT-HEX: .63 X 2.00 NC GR5 ZP	4
11	1013024	WASHER-FLAT: .63 ZP	4
12	52356	FLAIL-STUDDDED 1 X 12	22
13	51549	SPACER 1	4
14	1011607	BOLT-HEX: .50 X 1.50 NC GR5 ZP	2



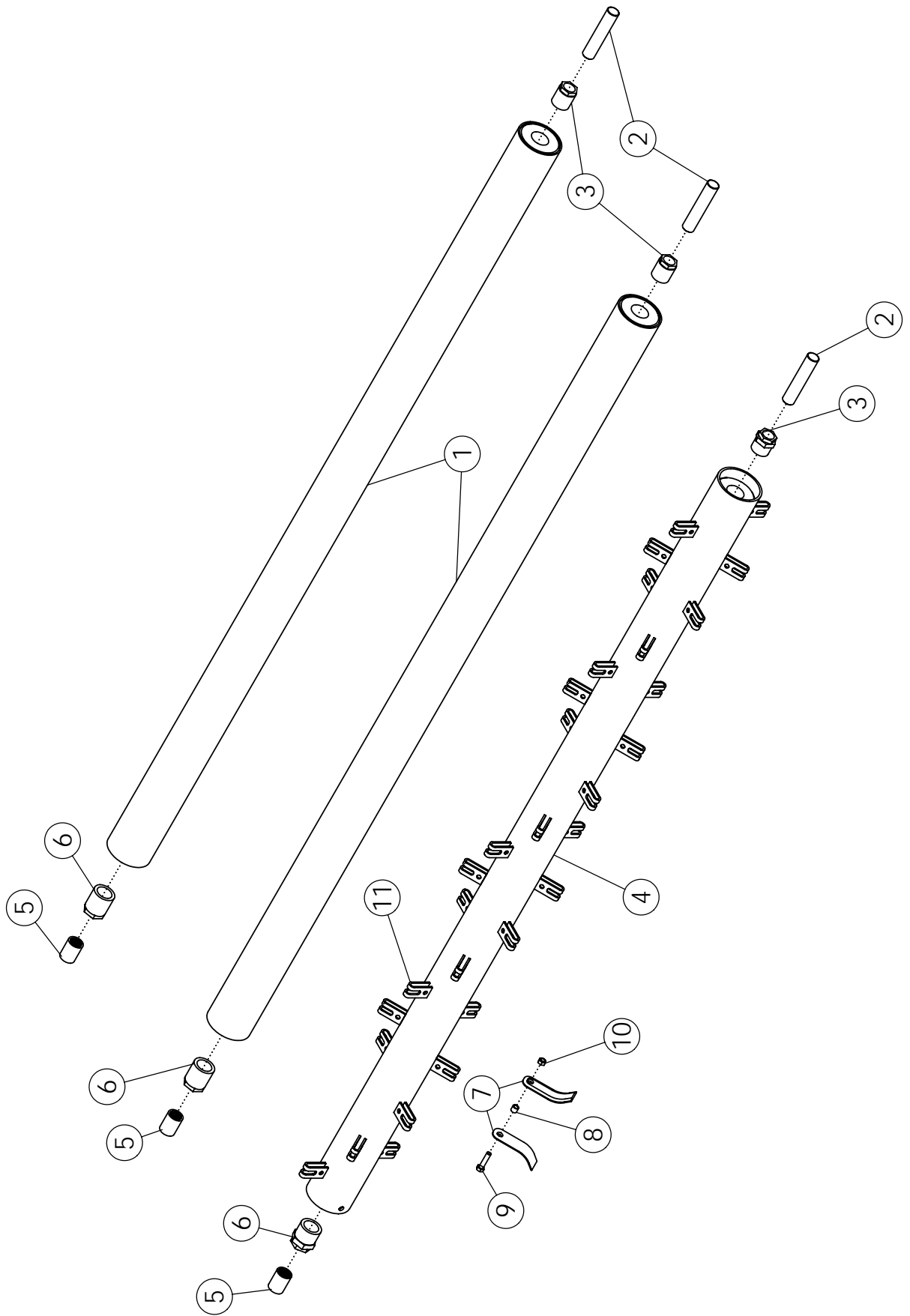
FLAILS ON #2 TUBE #52124

ITEM	PART NO.	DESCRIPTION	QTY
1	52062	FLAIL RING-LH	2
2	52061	FLAIL RING-RH	2
3	58084	PLATE-REINFORCEMENT ZP	4
4	1032509	BOLT-HEX: .63 X 1.25 NC GR5 ZP	2
5	1016595	NUT-TOPLOCK: .63 NC GR5 ZP	8
6	1011606	BOLT-HEX: .50 X 1.25 NC GR5 ZP	2
7	1014443	WASHER-FLAT: .50 ZP	2
8	1027461	NUT-TOPLOCK: .50 NC GR5 ZP	4
9	51839	FLAIL ROD	6
10	1011623	BOLT-HEX: .63 X 2.00 NC GR5 ZP	6
11	1013024	WASHER-FLAT: .63 ZP	6
12	52356	FLAIL-STUDDER 1 X 12	27
13	51547	SPACER 5/16	27
14	51548	SPACER 1-7/16	6
15	1011607	BOLT-HEX: .50 X 1.50 NC GR5 ZP	2



FLAILS ON #3 TUBE #52125

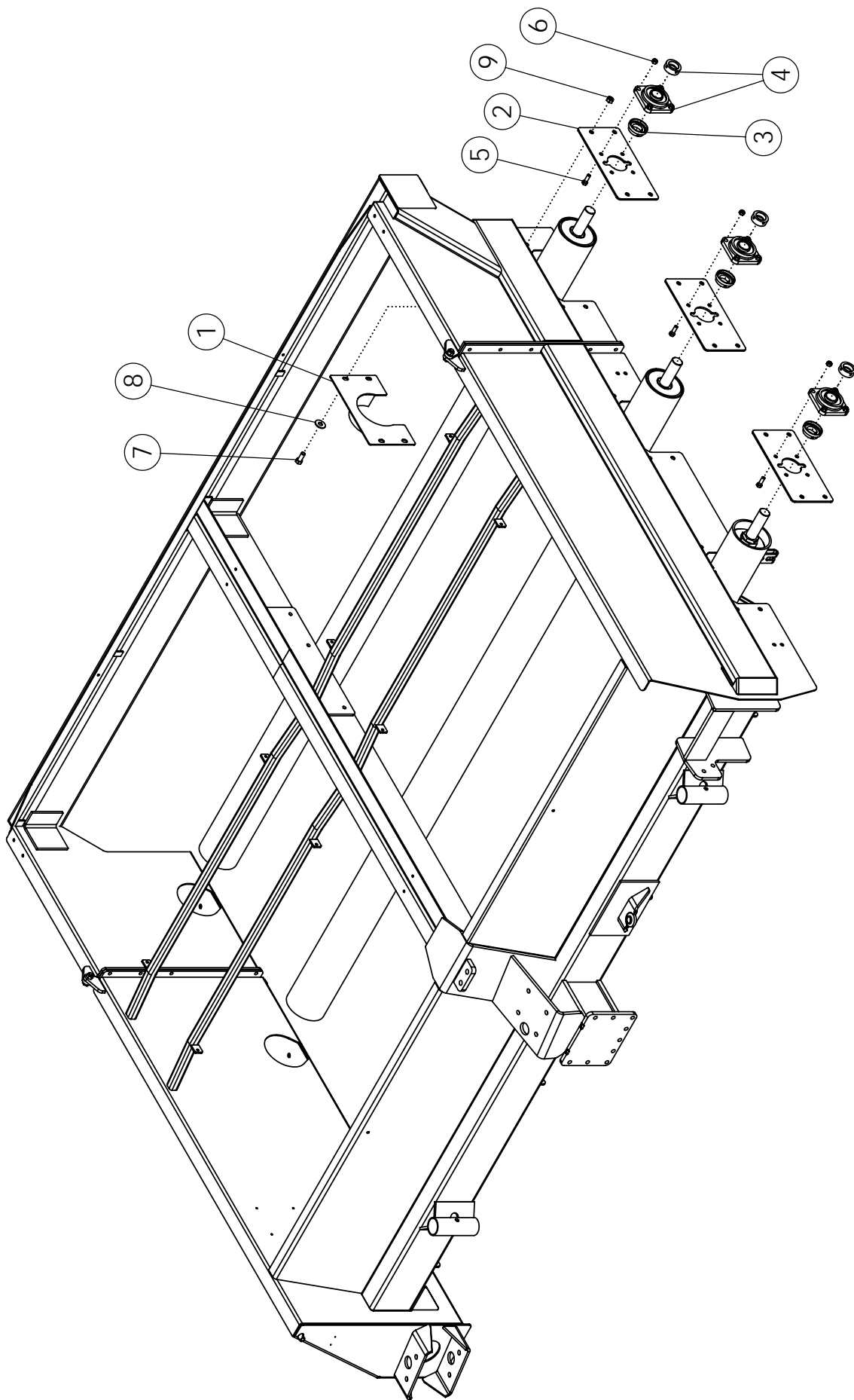
ITEM	PART NO.	DESCRIPTION	QTY
1	52062	FLAIL RING-LH	2
2	52061	FLAIL RING-RH	2
3	58084	PLATE-REINFORCEMENT ZP	4
4	1032509	BOLT-HEX: .63 X 1.25 NC GR5 ZP	2
5	1016595	NUT-TOPLOCK: .63 NC GR5 ZP	8
6	1011606	BOLT-HEX: .50 X 1.25 NC GR5 ZP	2
7	1014443	WASHER-FLAT: .50 ZP	2
8	1027461	NUT-TOPLOCK: .50 NC GR5 ZP	4
9	51839	FLAIL ROD	6
10	1011623	BOLT-HEX: .63 X 2.00 NC GR5 ZP	6
11	1013024	WASHER-FLAT: .63 ZP	6
12	52355	FLAIL-SWEEP 1 X 13-1/4	12
13	58255	FLAIL-SPLIT TAPER 2 X 12	18
14	1011607	BOLT-HEX: .50 X 1.50 NC GR5 ZP	2



FLAIL TUBE ASSEMBLY

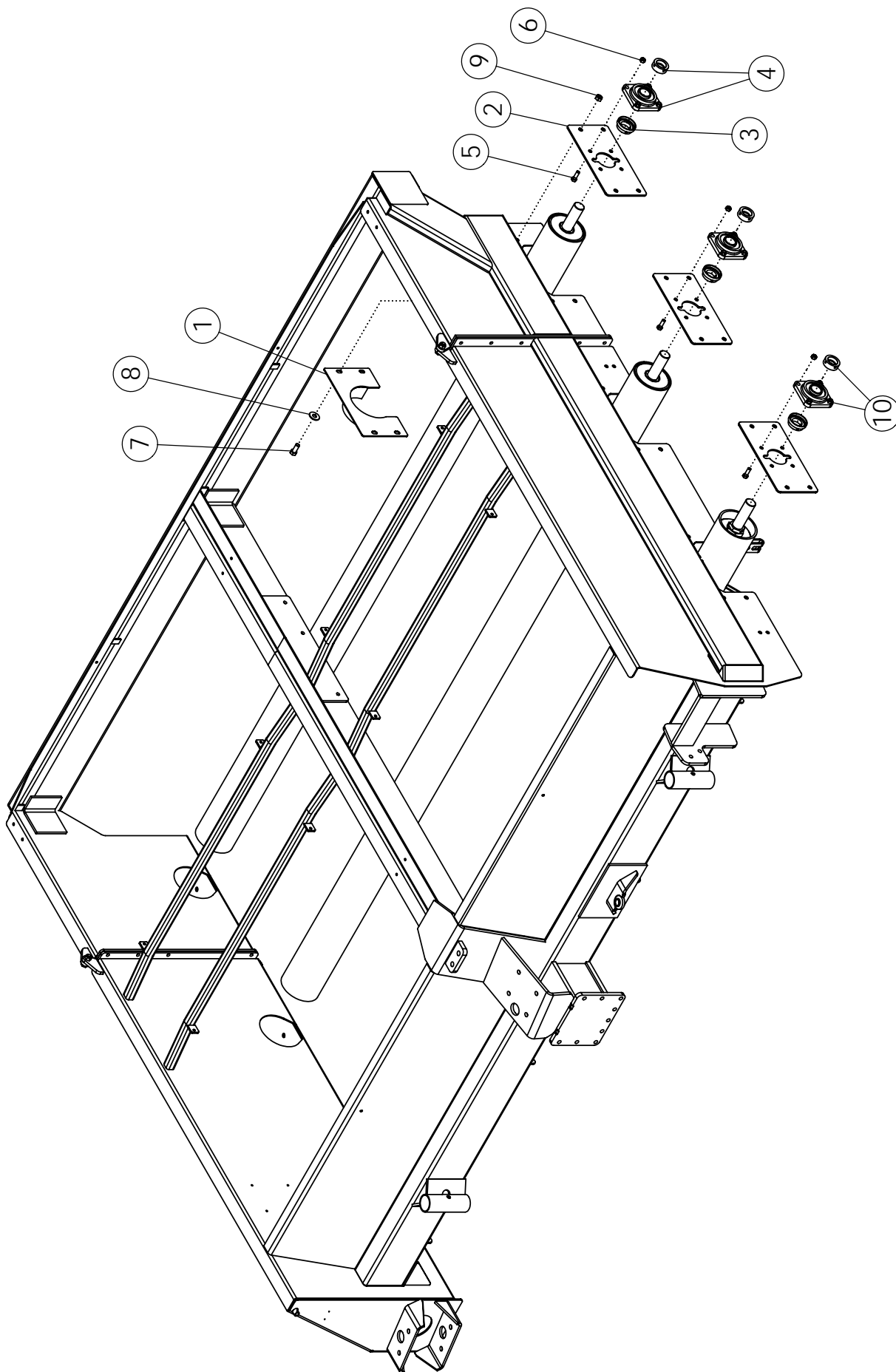
ITEM	PART NO.	DESCRIPTION	QTY
1	62124*	FLAIL TUBE #1, #2, & #3	2
2	58710	SHAFT-FLAIL TUBE	3
3	58459	HUB-TRANTORQUE 1.75 HD	3
4	59358	TUBE-STEEL FLAIL-BALANCED	1
5	62150	COUPLER-SPLINED 1.75-20 X 2.25	3
6	59259	HUB-TRANTORQUE 2.25	3
7	58680	FLAIL-STEEL	68
8	58790	BUSHING-FLAIL	34
9	1024447	BOLT-HEX: .63 X 2.75 NC GR5 ZP	34
10	1016595	NUT-TOPLOCK: .63 NC GR5 ZP	34
11	58681	HOLDER-STEEL FLAIL	AR

*QUANTITY OF 3 ON A NON-STEEL FRONT DRUM



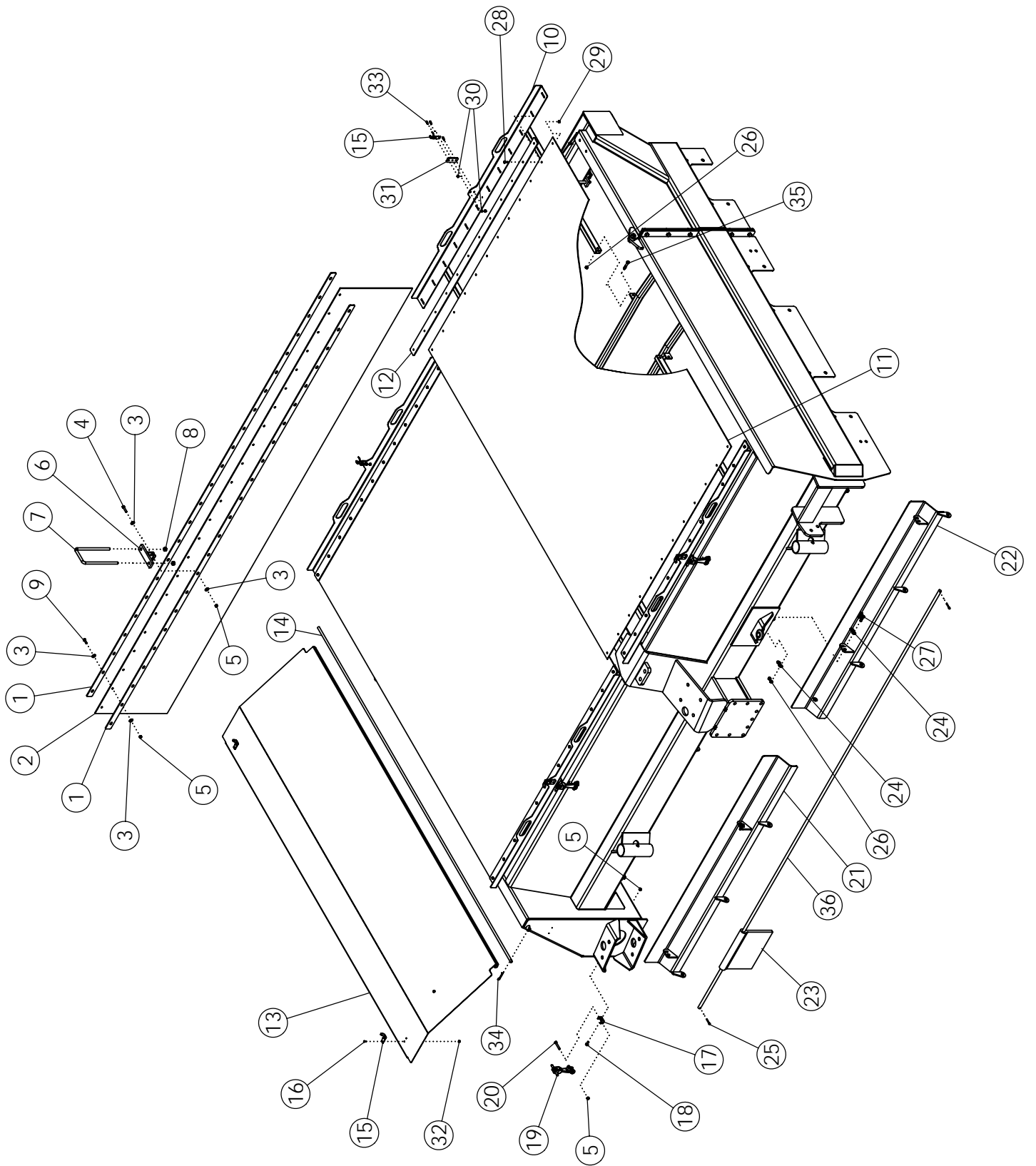
FLAIL TUBE MOUNTING

ITEM	PART NO.	DESCRIPTION	QTY
1	63417	WLDMT - SHIELD ANTI WRAP	3
2	52069	BEARING PLATE	3
3	52382	SEAL PROTECTOR 1.75	3
4	52404	BEARING-FLANGE 1.75	3
5	1011607	BOLT-HEX: .50 x 1.50 NC GR5 ZP	12
6	1027461	NUT-TOPLOCK: .50 NC GR5 ZP	12
7	1014349	BOLT-HEX: .63 x 1.50 ND GR5 ZP	12
8	1013024	WASHER-FLAT .63 ZP	12
9	1016595	NUT-TOPLOCK: .63 ND GR5 ZP	12



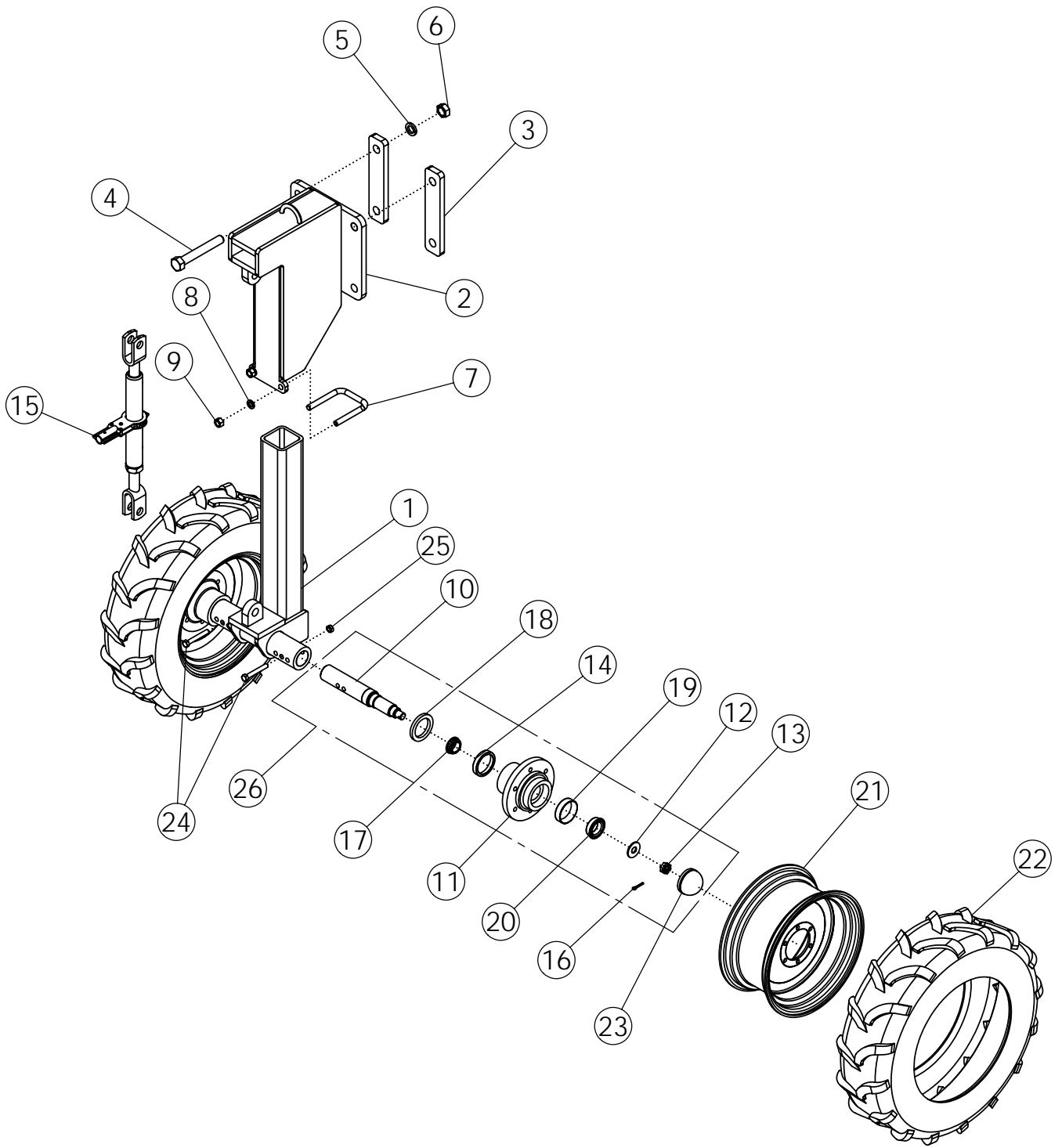
FLAIL TUBE MOUNTING: STEEL FRONT DRUM

ITEM	PART NO.	DESCRIPTION	QTY
1	63417	WLDMT - SHIELD ANTI WRAP	4
2	52069	BEARING PLATE	3
3	52382	SEAL PROTECTOR 1.75	3
4	52404	BEARING-FLANGE 1.75	2
5	1011607	BOLT-HEX: .50 x 1.50 NC GR5 ZP	12
6	1027461	NUT-TOPLOCK: .50 NC GR5 ZP	12
7	1014349	BOLT-HEX: .63 x 1.50 ND GR5 ZP	12
8	1013024	WASHER-FLAT .63 ZP	12
9	1016595	NUT-TOPLOCK: .63 ND GR5 ZP	12
10	63506	BEARING-FLANGE 1.75 N-SEAL	1



DOORS AND SHIELDS

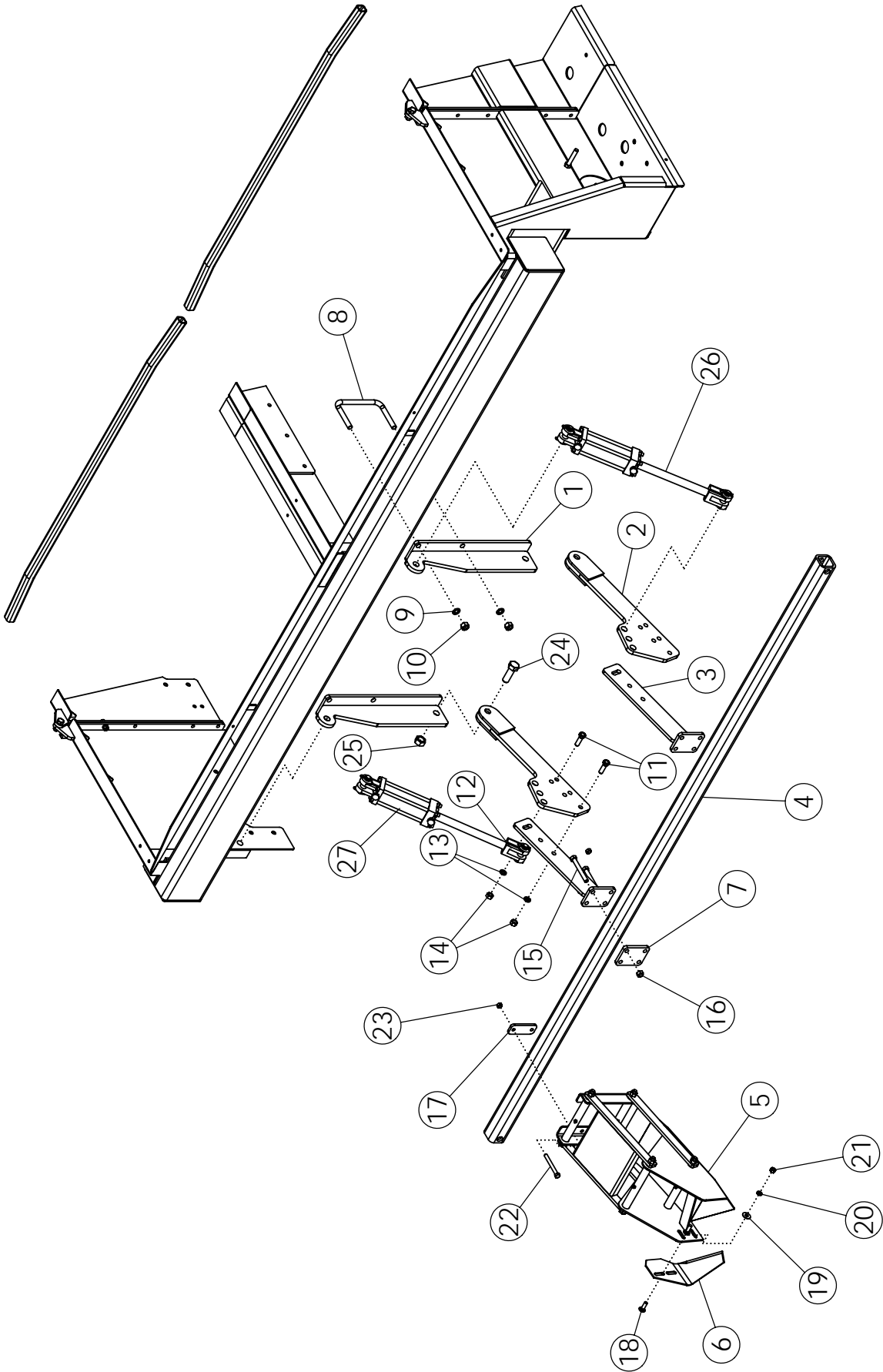
ITEM	PART NO.	DESCRIPTION	QTY
1	63446	BAR-REAR FLAP 0622, 1222	2
2	52357	FLAP-REAR	1
3	1011583	WASHER-FLAT: .31 ZP	46
4	1014124	BOLT-HEX: .31 X 1.50 NC GR5 ZP	4
5	1030700	NUT-HEX: .31 NC GR5 ZP	30
6	63448	WLDMT-REAR FLAP MOUNT	4
7	63458	U-BOLT: .50 X 9.25 X 4.00 X 9.25 ZP	4
8	1027461	NUT-TOPLOCK: .50 NC GR5 ZP	8
9	1011598	BOLT-HEX: .31 X 1.00 NC GR5 ZP	19
10	62499	WLDMT-DOOR 6R	4
11	62504	TARP 6R STD	2
12	59815	BRACKET-TOP STL DEF COVER	4
13	52026	WLDMT-DOOR	1
14	51882	ROD-DOOR	1
15	52239	HOOD BRACKET-LARGE	6
16	1013462	SCREW: .19 X .50	4
17	52237	ANCHOR BRACKET-LARGE	6
18	1011597	BOLT-HEX: .31 X .75 NC GR5 ZP	6
19	52238	RUBBER HOOK LARGE	6
20	1011285	BOLT-HEX .31 X 2.00 NC	6
21	64690	WLDMT-FRONT SHIELD RH 0622	1
22	64689	WLDMT-FRONT SHIELD LH 0622	1
23	64648	FLAP-RUBBER WR	11
24	1011828	WASHER-FLAT .38 ZP	16
25	1012375	PIN-COTTER .19 X 1.50 NP	2
26	1016999	NUT-TOPLOCK .38 NC GR5 ZP	8
27	1011601	BOLT-HEX: .38 X 1.25 NC GR5 ZP	8
28	1011595	BOLT-HEX: .25 X .75	48
29	1013427	NUT-CENTERLOCK: .25 NC GR2 ZP	48
30	1026591	NUT-K-LOCK: .19 NC GR2 ZP	12
31	62506	PLATE-LATCH ZP	4
32	1027567	NUT-HEX: #10-24 NC ZP	4
33	0100615	BOLT: .19 X .75 NC GR5 ZP	12
34	52236	PIN-HAIR: .14 X 2.56 ZP	1
35	1011725	BOLT-HEX: .38 X 2.00 NC	8
36	64695	RETAINING SHAFT-SHIELD 0622	1



STANDARD REAR STRUTS

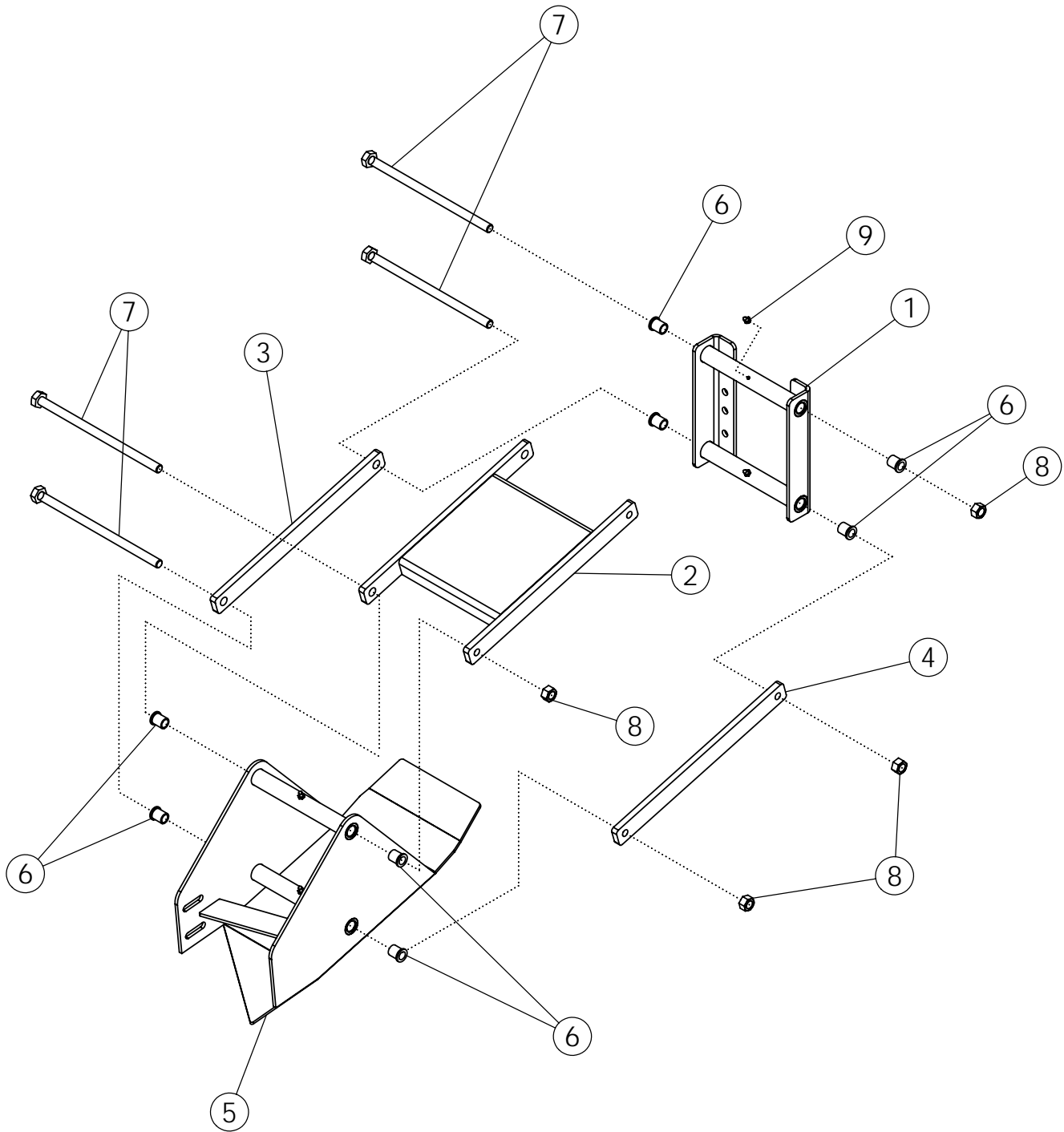
ITEM	PART NO.	DESCRIPTION	QTY
1	58281	WLDMT-SPINDLE HOUSING	1
2	63559	WLDMT-STD STRUT UPPER	1
3	58408	BAR - BOLTING	2
4	1018839	BOLT-HEX: 1.0 x 7.00 NC GR8 ZP	4
5	1013539	WASHER-LOCK: 1.00 ZP	4
6	1012664	NUT-HEX: 1.00 NC GR2 ZP	4
7	60547	U-BOLT: .63 X 5.25 X 4.00 X 5.25	1
8	1011813	WASHER-LOCK: .63 ZP	2
9	1011578	NUT-HEX: .63 NC GR2 ZP	2
10	52138*	SPINDLE	2
11	52247*	HUB-WHEEL 6-BOLT	2
12	1012377*	WASHER-SPINDLE: .81 X 2.00 NP	2
13	1012376*	NUT-SLOTTED: .75 NF GR5 NP	2
14	52243*	BEARING CUP-INNER	2
15	52407	RATCHET JACK-PAINTED	1
16	1012375*	PIN-COTTER .19 X 1.50 NP	2
17	52245*	CONE-BEARING INNER	2
18	52242*	SEAL	2
19	52244*	CUP-BEARING OUTER	2
20	52246*	CONE-BEARING OUTER	2
21	52411	WHEEL 6.00-15 6 BOLT	2
22	52410	TIRE 7.60-15 I-3 6 PLY	2
23	52241*	CAP-HUB	2
24	1011612	BOLT-HEX: .50 X 3.50 NC GR5 ZP	2
25	1027461	NUT-TOPLOCK: .50 NC GR5 ZP	2
26	52116	ASSY HUB & SPINDLE	2

* Items are included in Item 26



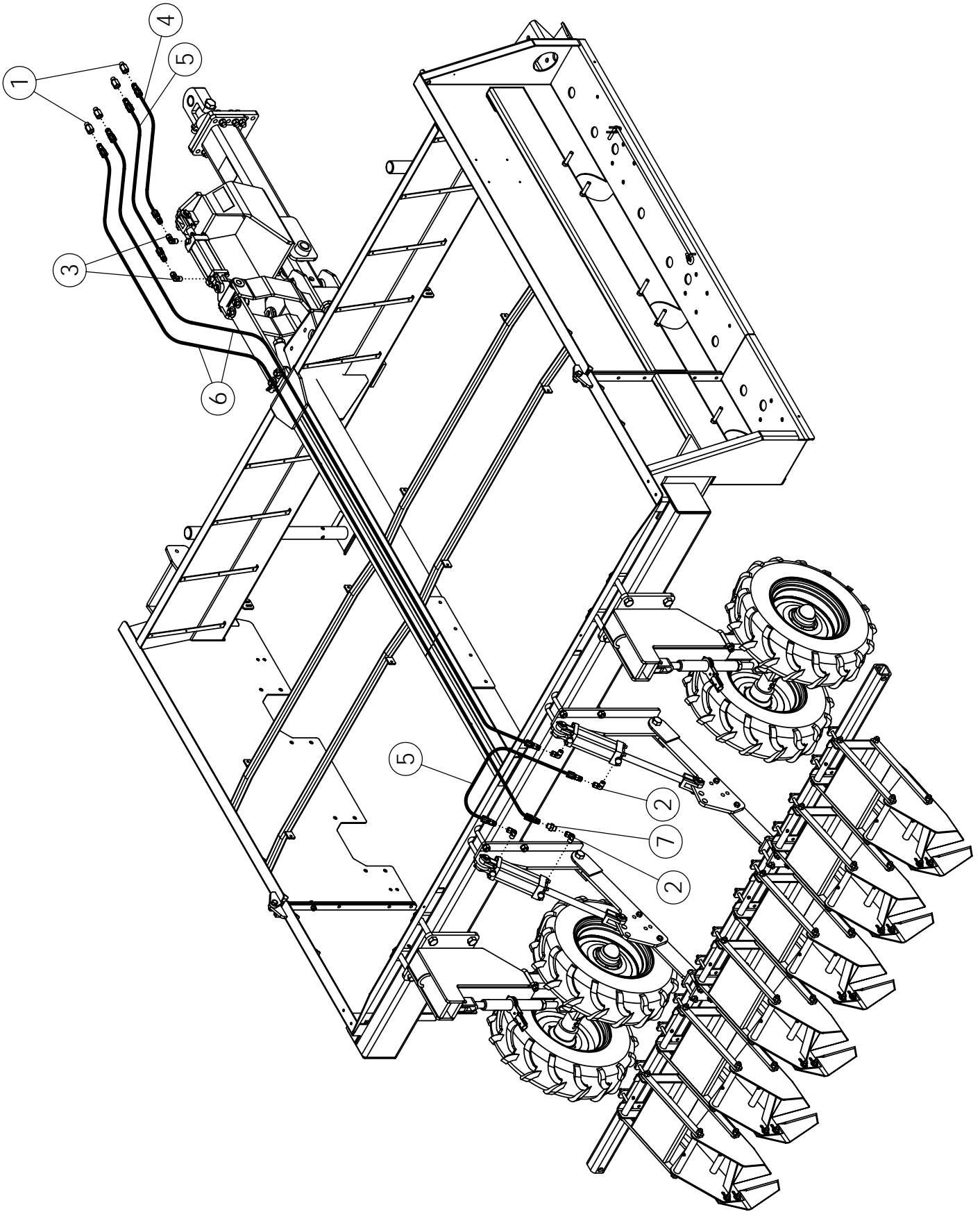
SCALPER BAR ASSEMBLY

ITEM	PART NO.	DESCRIPTION	6R
1	52019	WLDMT - MOUNT	2
2	52017	WLDMT - ARM	2
3	59092	WLDMT-BAR BRACKET	2
4	51865	BAR-SCALPER	1
5	63462	ASSY-SCALPER BASKET	6
6	51782	SCALPER KNIFE	6
7	51897	PLATE-BACKING	2
8	56263	U-BOLT: .75 X 5.5 X 8 X 5.5	4
9	1012061	WASHER-LOCK: .75 ZP	8
10	1011620	NUT: .75 NC	8
11	1011623	BOLT-HEX: .63 X 2.00 NC GR5 ZP	4
12	1013024	WASHER-FLAT .63 ZP	2
13	1011813	WASHER-LOCK: .63 ZP	4
14	1011578	NUT-HEX: .63 NC GR2 ZP	4
15	1013816	BOLT-HEX .63 X 5.00 NC GR5 ZP	8
16	1016595	NUT-TOPLOCK: .63 ND GR5 ZP	8
17	51551	BAR-BASKET MTG	12
18	1011660	BOLT-CRG: .50 X 1.50 NC GR5 ZP	12
19	1014443	WASHER-FLAT: .50 ZP	12
20	1011581	WASHER-LOCK: .50 ZP	12
21	1011577	NUT-HEX: .50 NC GR2 ZP	12
22	1013682	BOLT-HEX: .50 x 4.50 NC GR5 ZP	24
23	1027461	NUT-TOPLOCK: .50 NC GR5 ZP	24
24	1018007	BOLT-HEX: 1.00 x 3.00 NC GR5 ZP	2
25	1016969	NUT-TOPLOCK: 1.00 NC GR5 ZP	2
26	52343	CYLINDER HYDRAULIC 2.25 X 8	1
27	52342	CYLINDER HYDRAULIC 2.00 X 8	1



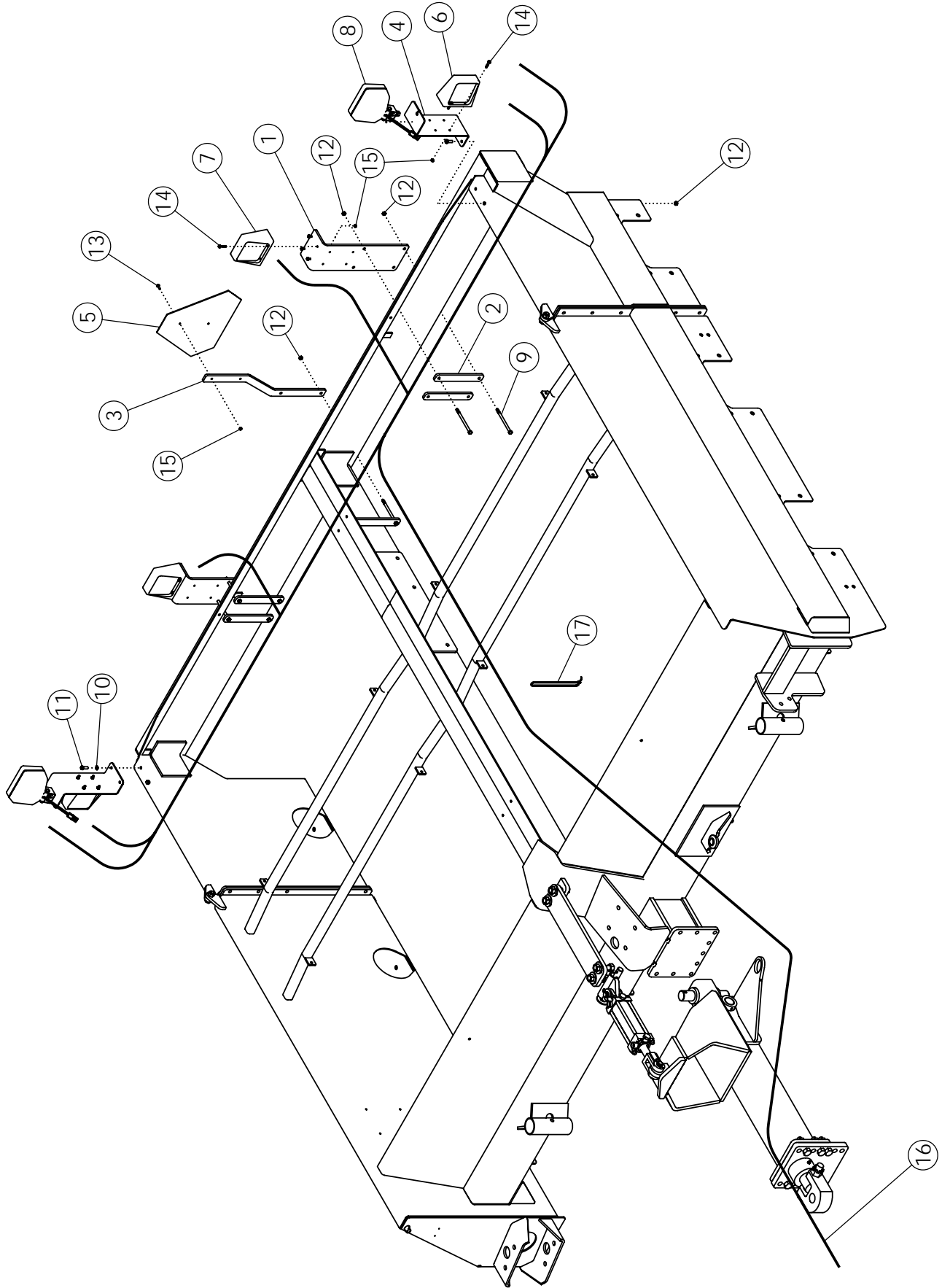
SCALPER BASKET

ITEM	PART NO.	DESCRIPTION	QTY
1	63551	WLDMT-BASKET MOUNT	1
2	63556	WLDMT-UPPER LINK	1
3	63555	BAR-PARALLEL LINK	1
4	63463	BAR-LINK THREADED	1
5	63550	WLDMT-BASKET FRAME	1
6	63459	BUSHING-FLANGE	8
7	1029446	BOLT-HEX: .63 X 12.00 NC GR5 ZP	4
8	1011578	NUT-HEX: .63 NC GR2 ZP	4
9	1011748	ZERK-GREASE .25 UNF STRAIGHT	4



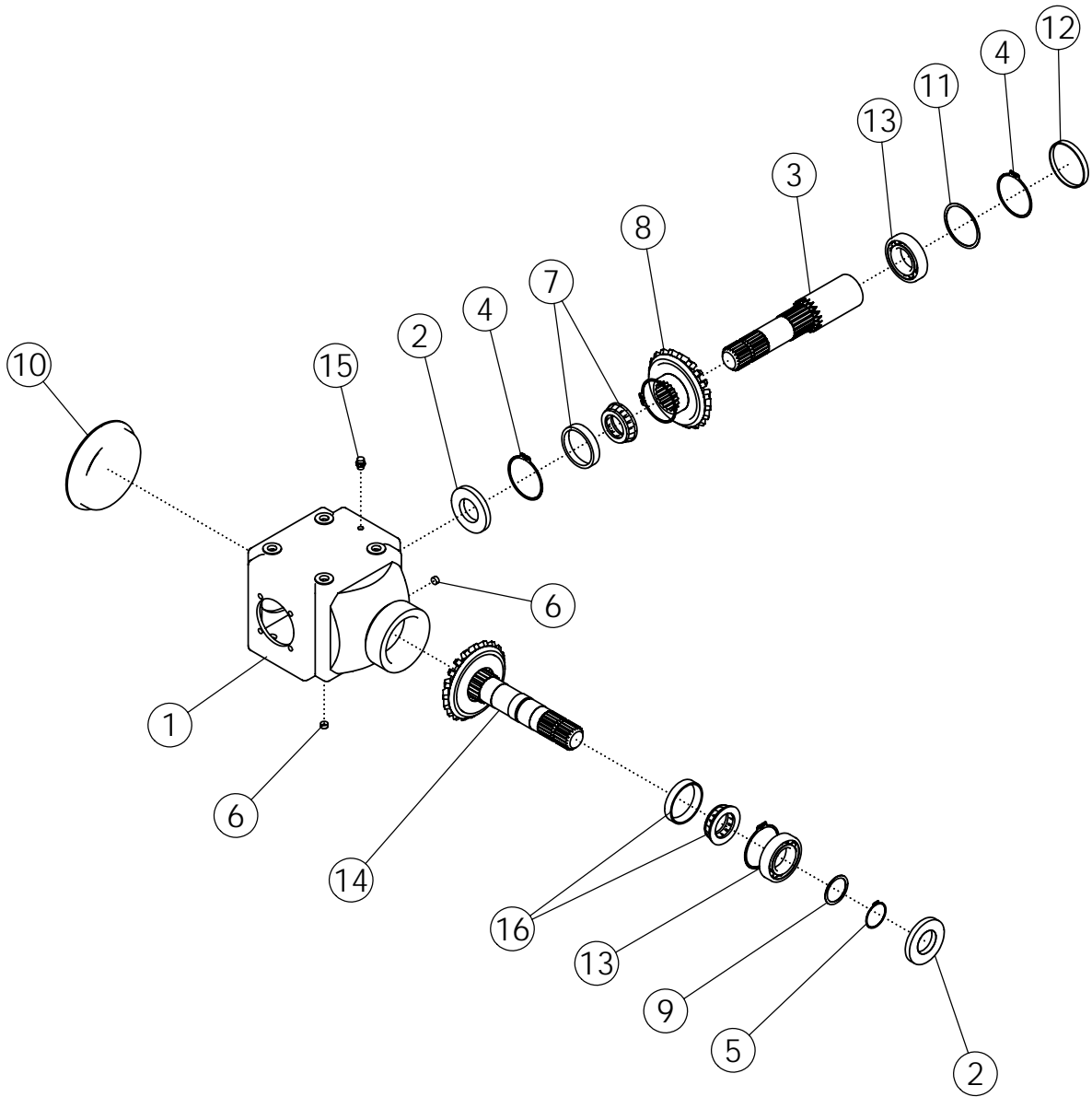
HYDRAULIC SYSTEM

ITEM	PART NO.	DESCRIPTION	QTY
1	64194	FTG-ADAPTER: M20-1.5 X 0.5" NPTF	4
2	52362	FTG-ELBOW: 8MP-8FPX 90	4
3	54013	FTG-ELBOW: 8MB-8FPX 90	2
4	57091	HOSE: .50 X 084 8MP-8MP	1
5	52419	HOSE: .50 X 096 8MP-8MPX	2
6	52262	HOSE: .50 X 268 8MP-8MPX	2
7	64737	FTG-RESTRICTOR: 8MP-8FPX	1



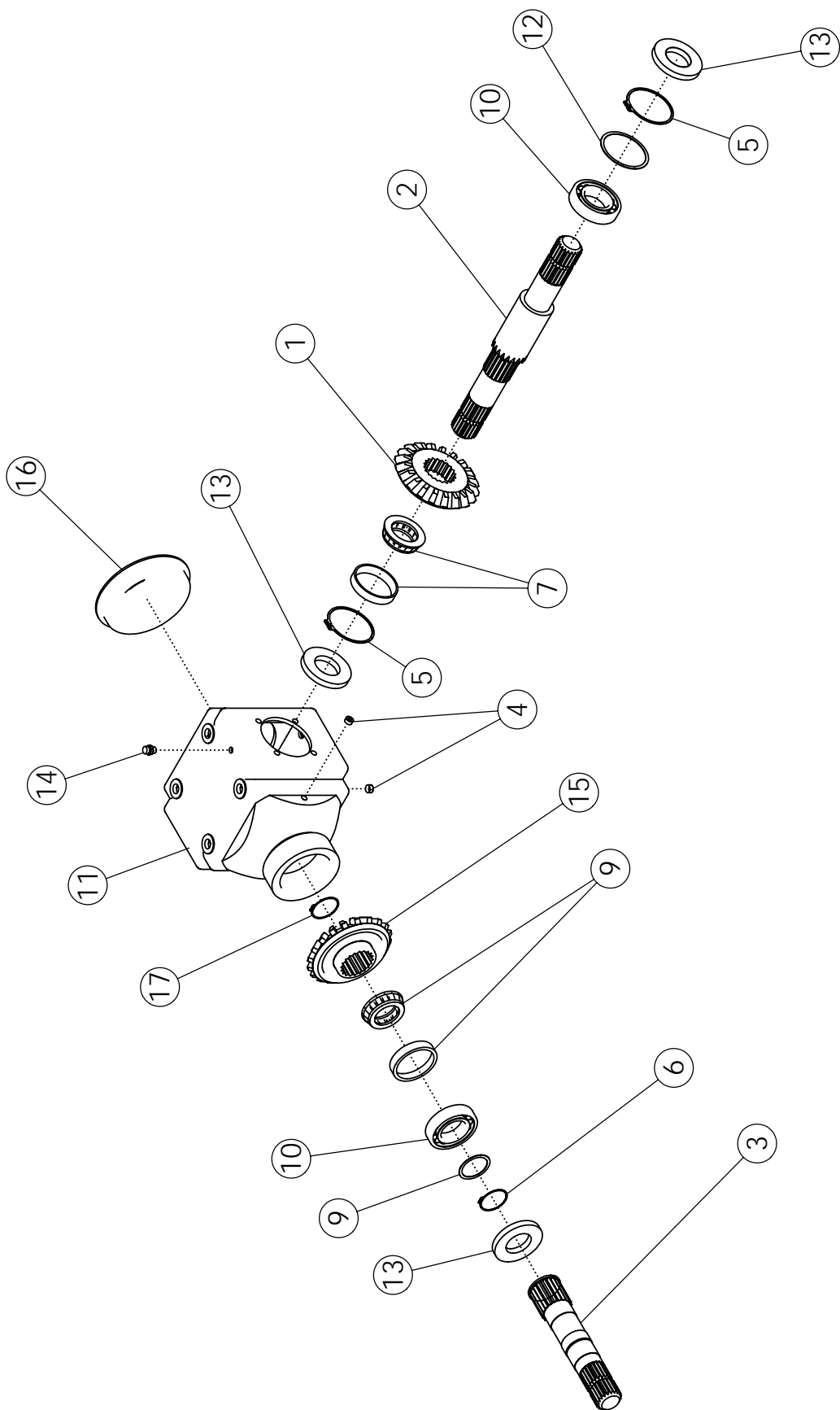
LIGHT KIT

ITEM	PART NO.	DESCRIPTION	QTY
1	64287	PLATE-LIGHT BRACKET	2
2	64288	PLATE-BRACKET BACKING	5
3	64246	MOUNT-SMV SIGN	1
4	64243	BRACKET-LIGHT DEFOLIATOR	2
5	65329	SIGN-SMV ASAE	1
6	65954	LAMP-AMBER TAIL	2
7	65953	LAMP-RED TAIL	2
8	62900	ASSY - LIGHT FLOOD W/CON	2
9	64289	BOLT-HEX: .38 X 5.50 NC GR5 ZP	10
10	1011586	WASHER-LOCK: .38 ZP	2
11	1011600	BOLT-HEX: .38 X 1.00 NC GR5 ZP	4
12	1016999	NUT-TOPLOCK .38 NC GR5 ZP	12
13	1011595	BOLT-HEX: .25 X .75 NC GR5 ZP	2
14	1013940	BOLT-HEX: .25 X 1.25 NC GR5	16
15	1030946	NUT-TOPLOCK: .25 NC GR5 ZP	18
16	64197	HARNESS-CIS DEFOLIATOR	1
17	1013122	TIE-CABLE, NYLON 14.00"	10



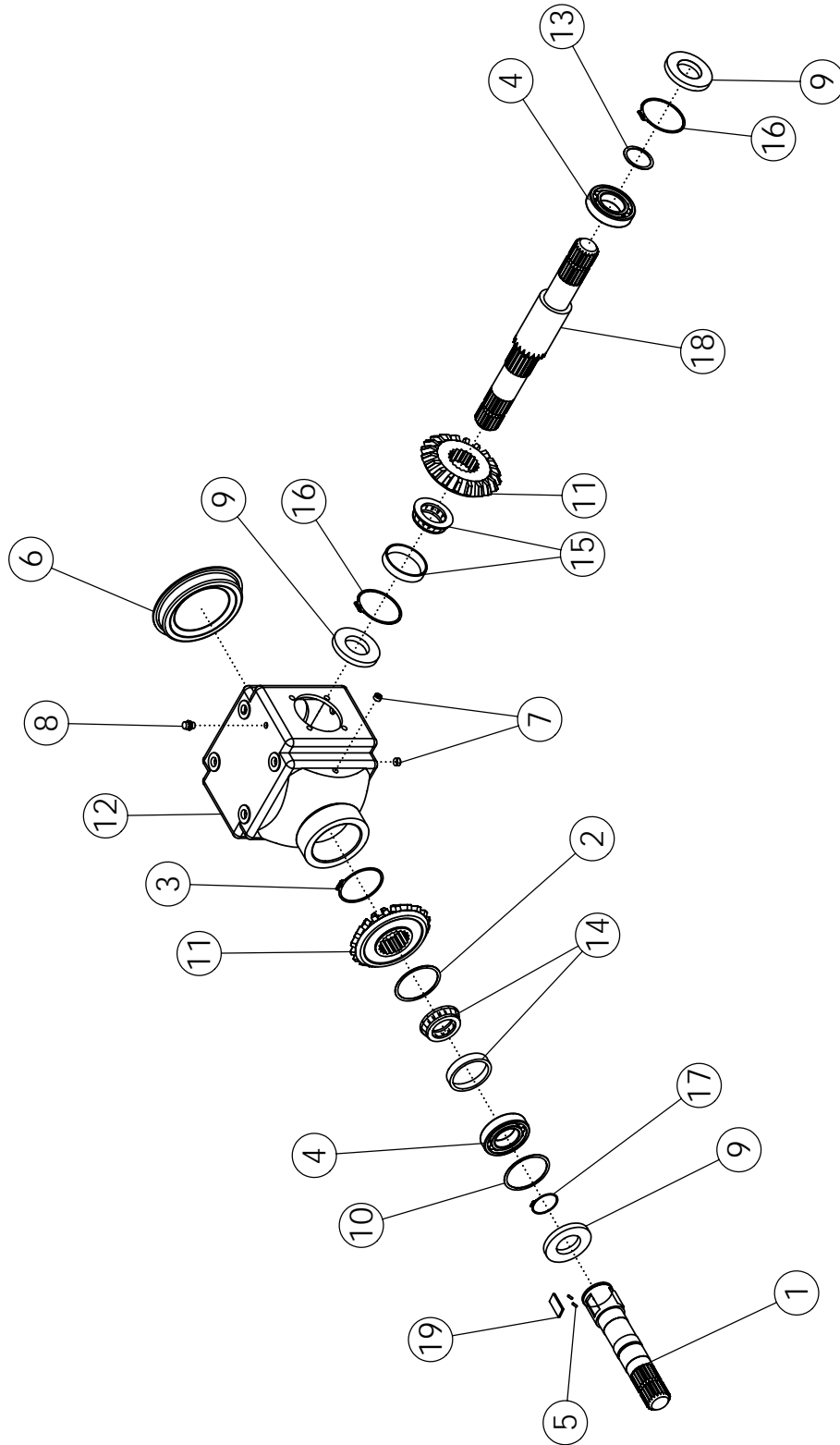
GEARBOX - L TYPE

ITEM	PART NO.	DESCRIPTION	QTY
--	52391	GEARBOX 1.57:1 COMPLETE	
--	52392	GEARBOX 1:1 COMPLETE	
1	59965	HOUSING GEARBOX	1
2	54214	OIL SEAL	2
3	54207	SHAFT	1
4	54210	SNAP RING	2
5	54209	SNAP RING	1
6	54215	OIL PLUG	3
7	54212	BEARING-TAPERED ROLLER	1
8	54227	GEAR CROWN (1.57:1 GEARBOX)	1
9	54218	SPACER RING -- .012 PER M THICKNESS	AR
	54219	SPACER RING -- .016 PER M THICKNESS	
	54220	SPACER RING -- .024 PER M THICKNESS	
	54221	SPACER RING -- .032 PER M THICKNESS	
	54222	SPACER RING -- .040 PER M THICKNESS	
	64421	KIT-SPACER RING (INCLUDES SPACERS IN ITEM 9)	
10	54208	PLATE-COVER	1
11	54223	SPACER RING -- .012 PER M THICKNESS	AR
	54224	SPACER RING -- .016 PER M THICKNESS	
	54225	SPACER RING -- .024 PER M THICKNESS	
	54226	SPACER RING -- .032 PER M THICKNESS	
	59958	SPACER RING -- 1.00 PER M THICKNESS	
	64422	KIT-SPACER RING (INCLUDES SPACERS IN ITEM 11)	
12	54217	CLOSING CAP	1
13	54211	BEARING BALL	2
14	54228	GEAR-PINION (1.57:1 GEARBOX)	1
15	54204	OIL BREATHER VENT PLUG	1
16	54213	BEARING-TAPERED ROLLER	2
	59962	BEVEL GEAR SET (INCLUDES ITEMS 8 AND 14)	



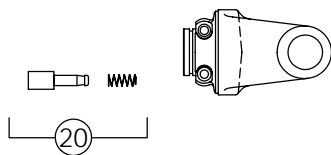
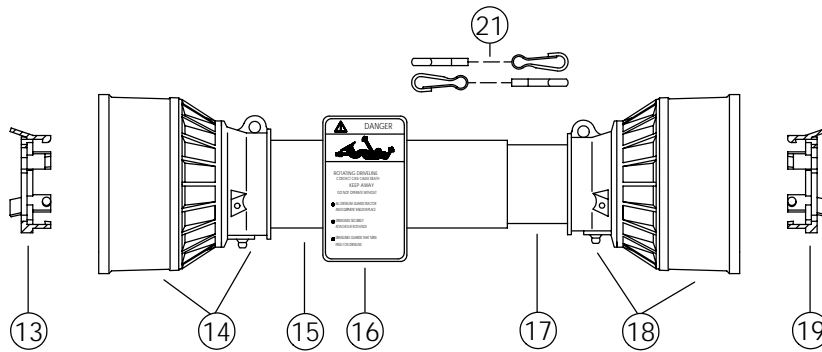
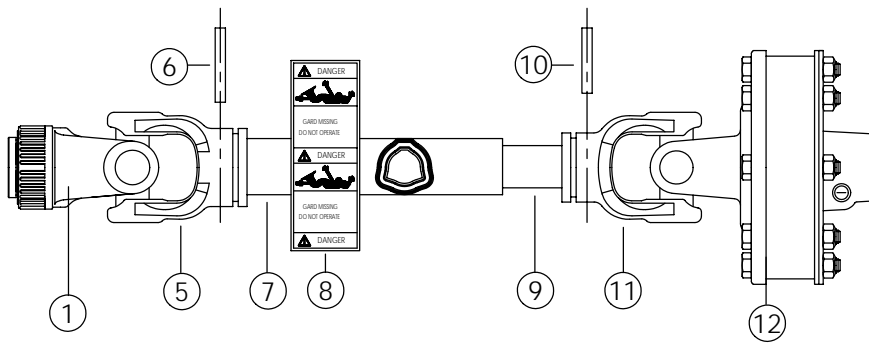
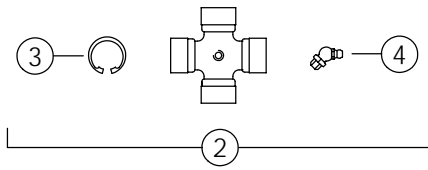
GEARBOX - T TYPE

ITEM	PART NO.	DESCRIPTION	QTY
--	52379	GEARBOX 1:1.57 COMPLETE With Steel Flails Only	
--	52393	GEARBOX 1.57:1 COMPLETE	
1	54229	CROWN (1.57:1 GEARBOX)	1
	54227	CROWN (1:1.57 GEARBOX)	
2	54230	THRU SHAFT	1
3	64475	OUTPUT SHAFT	1
4	54215	OIL PLUG	3
5	54210	SNAP RING	2
6	54209	SNAP RING	1
7	54212	BEARING TAPERED ROLLER	1
8	54213	BEARING TAPERED ROLLER	1
9	54218	SPACER RING -- .012 PER M THICKNESS	AR
	54219	SPACER RING -- .016 PER M THICKNESS	
	54220	SPACER RING -- .024 PER M THICKNESS	
	54221	SPACER RING -- .032 PER M THICKNESS	
	54222	SPACER RING -- .040 PER M THICKNESS	
	64421	KIT-SPACER RING (INCLUDES SPACERS IN ITEM 9)	
10	54211	BEARING BALL	2
11	59965	HOUSING GEARBOX	1
12	54223	SPACER RING -- .012 PER M THICKNESS	AR
	54224	SPACER RING -- .016 PER M THICKNESS	
	54225	SPACER RING -- .024 PER M THICKNESS	
	54226	SPACER RING -- .032 PER M THICKNESS	
	59958	SPACER RING -- 1.00 PER M THICKNESS	
	64422	KIT-SPACER RING (INCLUDES SPACERS IN ITEM 12)	
13	54214	OIL SEAL	3
14	54204	OIL BREATHER VENT PLUG	1
15	54227	CROWN (1.57:1 GEARBOX 52393)	1
	54229	CROWN (1:1.57 GEARBOX 52379)	
16	54208	PLATE-COVER	1
17	52521	SNAP RING	1
	59964	BEVEL GEAR SET (INCLUDES MATCHED ITEMS 1 AND 15)	



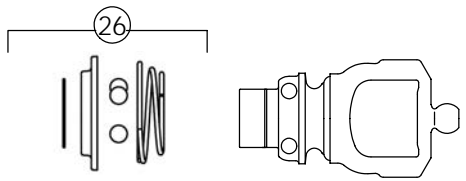
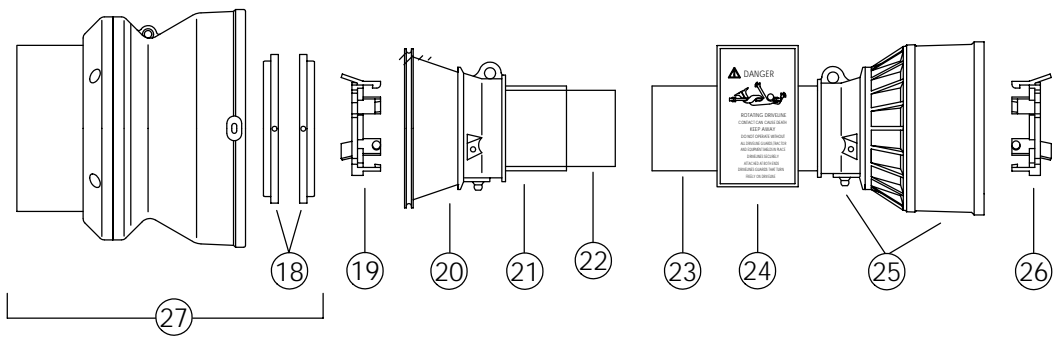
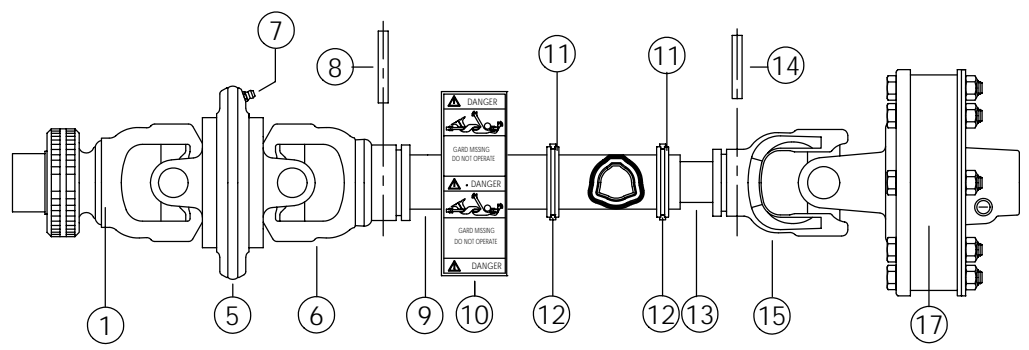
GEARBOX - T TYPE WITH OVERRUN

ITEM	PART NO.	DESCRIPTION	QTY
--	59189	GEARBOX 1:1 2-WAY WITH OVERRUN CLUTCH	1
1	59954	SHAFT-OUTPUT	1
2	59955	SPACER	1
3	59957	SNAP RING-CIRCLIP	1
4	54211	BEARING BALL	2
5	59960	SPRING-GEARBOX SHAFT	6
6	54208	PLATE-COVER	1
7	54215	OIL PLUG	2
8	54204	OIL BREATHER VENT PLUG	1
9	54214	OIL SEAL	3
10	54218	SPACER RING -- .012 PER M THICKNESS	AR
	54219	SPACER RING -- .016 PER M THICKNESS	
	54220	SPACER RING -- .024 PER M THICKNESS	
	54221	SPACER RING -- .032 PER M THICKNESS	
	54222	SPACER RING -- .040 PER M THICKNESS	
	64421	KIT-SPACER RING (INCLUDES SPACERS IN ITEM 10)	
11	59961	BEVELLED GEAR SET (2 MATCHED GEARS)	1
12	59953	HOUSING-GEARBOX	1
13	54223	SPACER RING -- .012 PER M THICKNESS	AR
	54224	SPACER RING -- .016 PER M THICKNESS	
	54225	SPACER RING -- .024 PER M THICKNESS	
	54226	SPACER RING -- .032 PER M THICKNESS	
	59958	SPACER RING -- 1.00 PER M THICKNESS	
	64422	KIT-SPACER RING (INCLUDES SPACERS IN ITEM 13)	
14	54213	BEARING TAPERED ROLLER	1
15	54212	BEARING TAPERED ROLLER	1
16	54210	SNAP RING	2
17	54209	SNAP RING	1
18	54230	THRU SHAFT	1
19	59956	PLATE-GEARBOX SHAFT	3



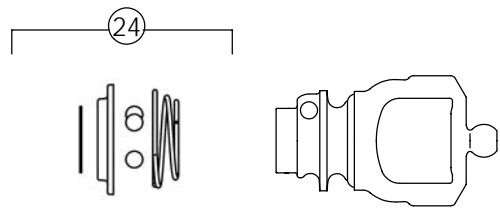
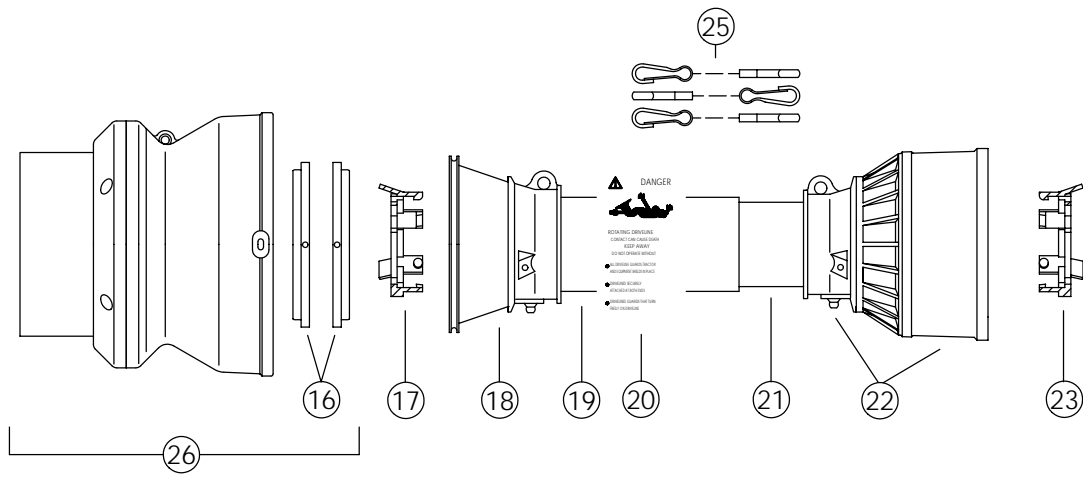
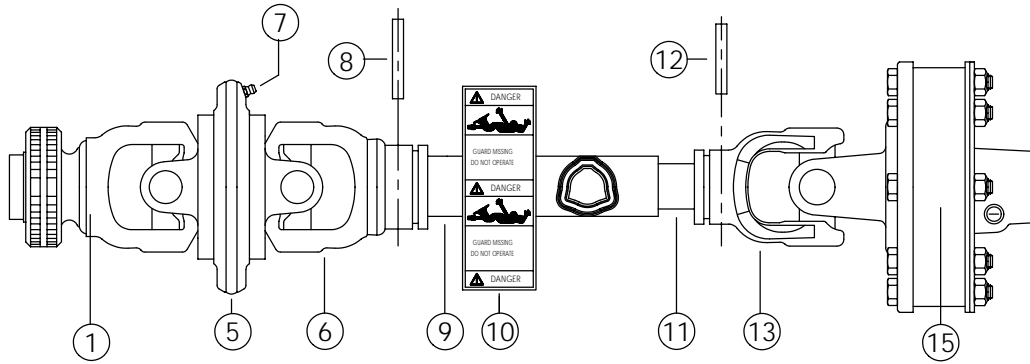
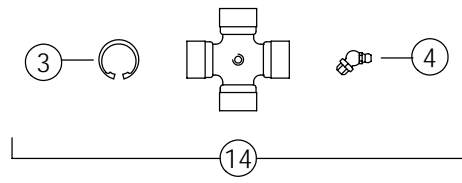
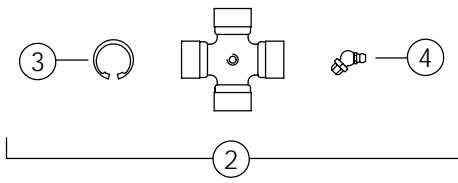
STANDARD PTO DRIVELINE #63684

ITEM	PART NO.	DESCRIPTION	QTY
1	63676	YOKE-32 X 38 (8 SPLINE) BONDIOLI	1
2	54235	CROSS KIT	2
3	55361	CIRCLIP	8
4	54236	GREASE NIPPLE	2
5	54242	YOKE-OUTER TUBE	1
6	55364	FLEXIBLE PIN	1
7	55318	CM CARDAN TUBE OUTER	1
8	63293	DECAL-DRIVELINE	1
9	55319	CM CARDAN TUBE INNER	1
10	55367	FLEXIBLE PIN	1
11	54234	YOKE INNER TUBE	1
12	63299	CLUTCH-TORQUE LIMITER	1
13	54238	BRG RING-OUTER SHIELD	1
14	55374	SHIELD CONE-OUTER	1
15	54200	OUTER SHIELD	1
16	63294	DECAL-DRIVELINE	1
17	54201	INNER SHIELD	1
18	55320	CONE SET-INNER SHIELD	1
19	54240	BRG RING-INNER SHIELD	1
20	64430	COMPLETE PUSH BUTTON	1
21	63582	CHAIN	1



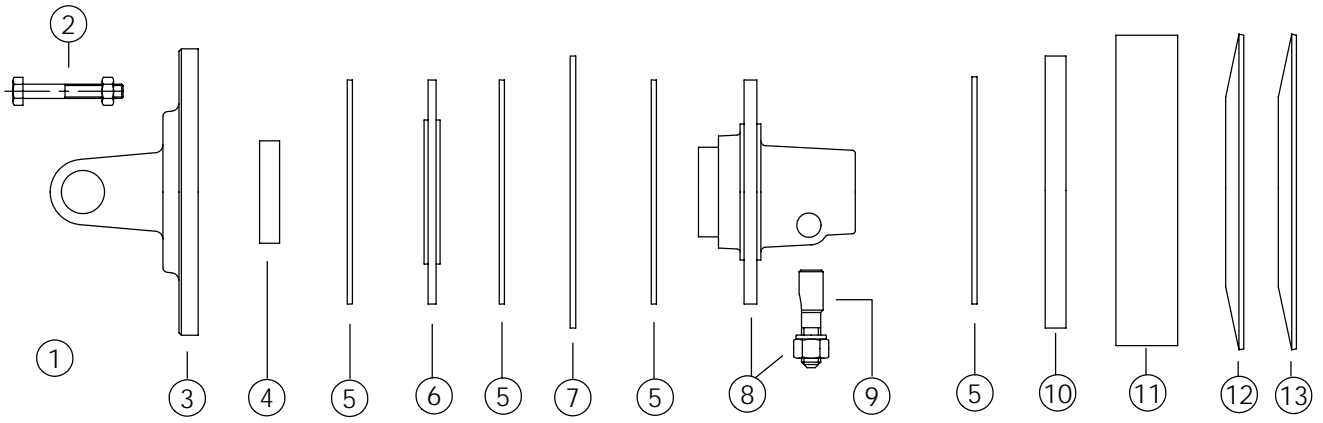
PTO DRIVELINE: 1-3/8" #52395

ITEM	PART NO.	DESCRIPTION	QTY
1	55401	YOKE CV 1.38"	1
2	55402	CROSS	2
3	55361	SNAP RING	12
4	63440	ZERK	3
5	55403	BODY-CENTRAL	1
6	63439	YOKE CV 1.38"	1
7	63424	ZERK	1
8	55367	PIN-FLEXIBLE	1
9	63425	TUBE-CARDAN	1
10	63293	DECAL	1
11	59897	RING	2
12	59896	KEY	6
13	63426	TUBE-CARDAN	1
14	55364	PIN-FLEXIBLE	1
15	63427	YOKE	1
16	54235	CROSS	1
17	63299	TORQUE LIMITER	1
18	55410	RING	1
19	54238	BGR RING-OUTER SHIELD	2
20	63441	CONE	1
21	59899	TUBE-SAFETY	1
22	63429	TUBE-SAFETY	1
23	63428	TUBE-SAFETY	1
24	63294	DECAL	1
25	55374	CONE	1
26	64678	SLEEVE KIT	1
27	55411	SHELL-COMPLETE	1



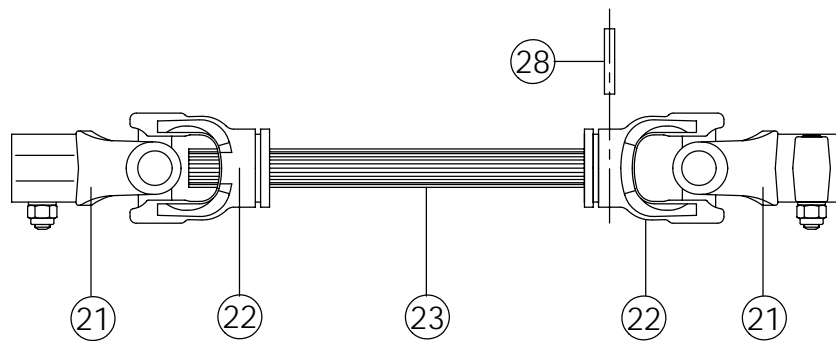
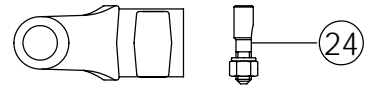
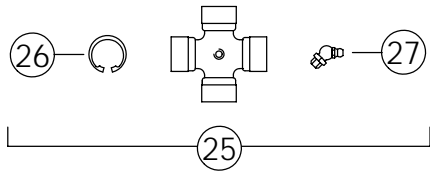
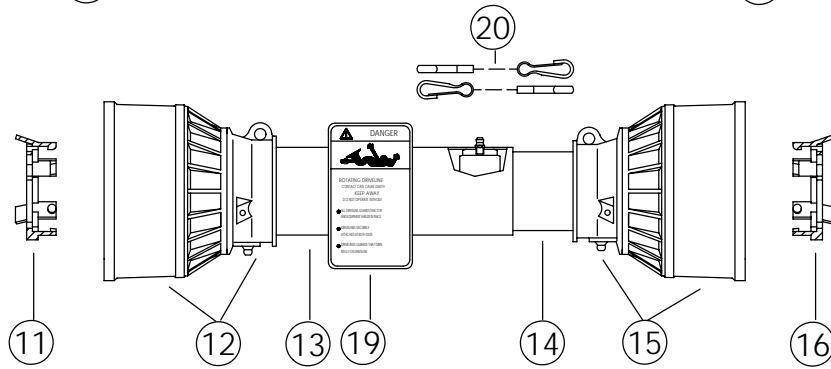
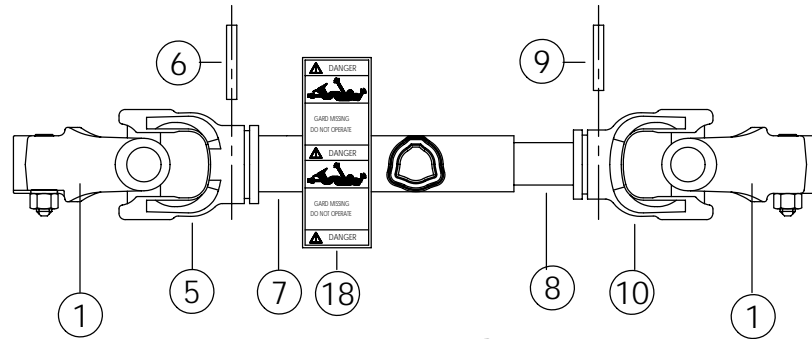
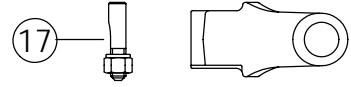
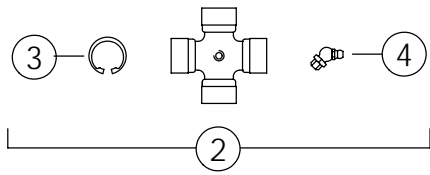
PTO DRIVELINE: 1-3/4" #52394

ITEM	PART NO.	DESCRIPTION	QTY
1	55423	YOKE CV 1.75"	1
2	55402	CROSS	2
3	55361	SNAP RING	12
4	63440	ZERK	3
5	55403	BODY	1
6	63439	YOKE	1
7	63424	ZERK	1
8	55364	FLEXIBLE PIN	1
9	55405	CARDAN TUBE	1
10	63293	DECAL	1
11	55406	CARDAN TUBE	1
12	55367	FLEXIBLE PIN	1
13	54234	INNER TUBE YOKE	1
14	54235	CROSS JOURNAL ASSEMBLY	1
15	63299	TORQUE LIMITER	1
16	55410	RING NUT DOWELS	1
17	54238	BRG RING-OUTER SHIELD	1
18	63441	SAFETY CONE-OUTER	1
19	55408	SAFETY TUBE-OUTER	1
20	63294	LABEL	1
21	55409	SAFETY TUBE-INNER	1
22	55320	SAFETY CONE-INNER	1
23	54240	BRG RING-INNER SHIELD	1
24	64417	SLEEVE KIT	1
25	63582	COMPLETE CHAIN	3
26	55411	COMPLETE SHELL	1



CLUTCH TORQUE LIMITER #63299

ITEM	PART NO.	DESCRIPTION	QTY
1	54198	YOKE (COMPLETE)	1
2	63300	SCREW	8
3	63301	YOKE-FLANGE	1
4	63295	BUSHING	1
5	54248	LINING	4
6	55415	PLATE-LINING	1
7	63302	PLATE-INNER	1
8	63303	HUB	1
9	63304	KIT-TAPER PIN	1
10	63305	PLATE-THRUST	1
11	63297	SPACER	1
12	63306	SPRING	1
13	63307	SPRING	1

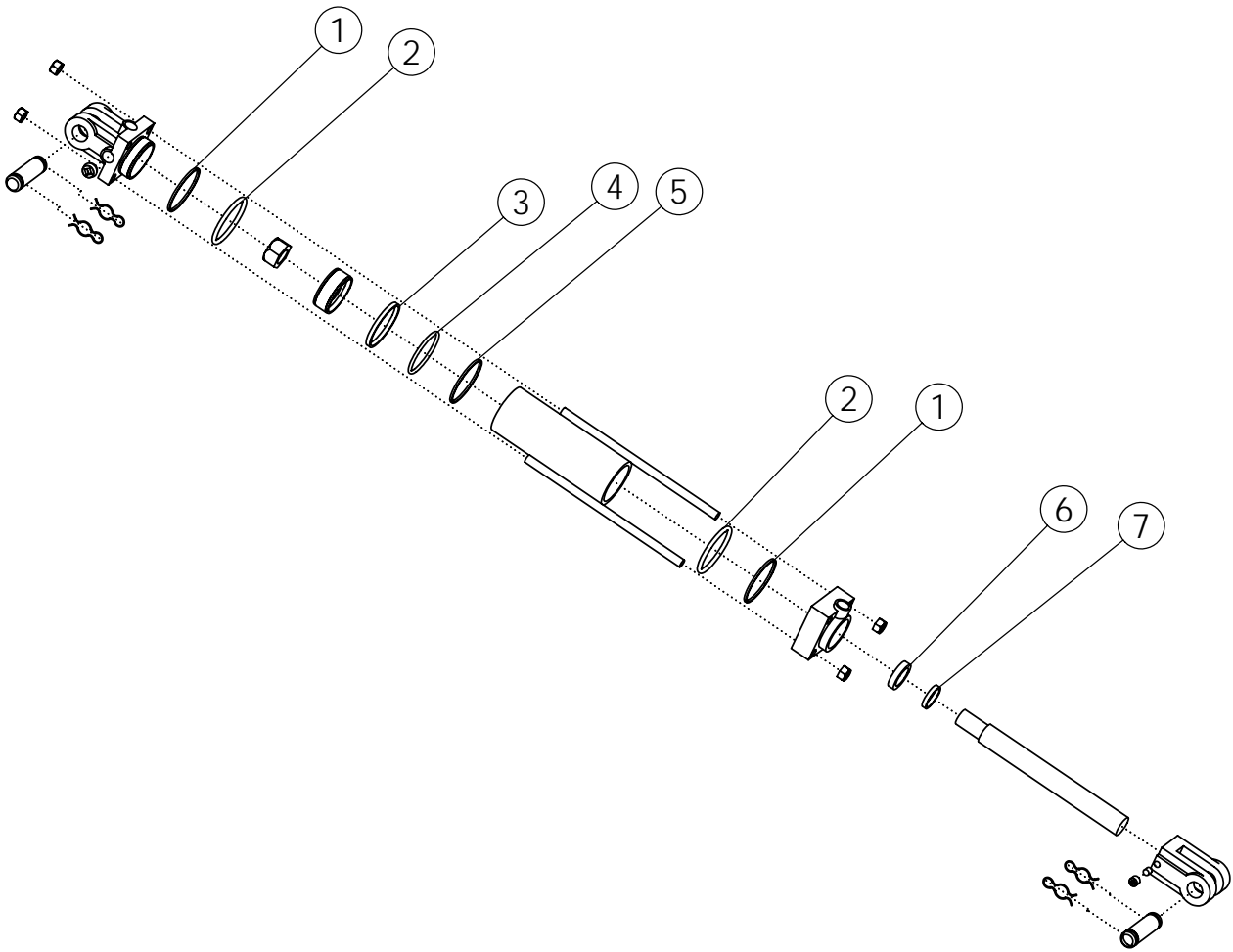


FRONT DRIVELINE #52399 & #52398

ITEM	PART NO.	DESCRIPTION	QTY	
			52399	52398
1	54241	TRACTOR YOKE	2	2
2	54235	CROSS KIT	2	2
3	55361	SNAP RING	8	8
4	54236	GREASE ZERK	2	2
5	54242	OUTER TUBE YOKE	1	1
6	55364	ROLL PIN	1	1
7	63595	OUTER DRIVE TUBE	1	-
	63602	OUTER DRIVE TUBE	-	1
8	63596	INNER DRIVE TUBE	1	-
	63603	INNER DRIVE TUBE	-	1
9	55367	ROLL PIN	1	1
10	54234	INNER TUBE YOKE	1	1
11	54238	BEARING RING - OUTER SHIELD	1	1
12	55374	OUTER SHIELD CONE	1	1
13	63597	OUTER SHIELD TUBE	1	-
	63604	OUTER SHIELD TUBE	-	1
14	63598	INNER SHIELD TUBE	1	-
	63605	INNER SHIELD TUBE	-	1
15	55320	INNER SHIELD CONE	1	1
16	54240	BEARING RING - INNER SHIELD	1	1
17	63594	TAPER PIN KIT	2	2
18	63293	DECAL-DRIVELINE	1	1
19	63294	DECAL-DRIVELINE	1	1
20	63582	CHAIN	2	2

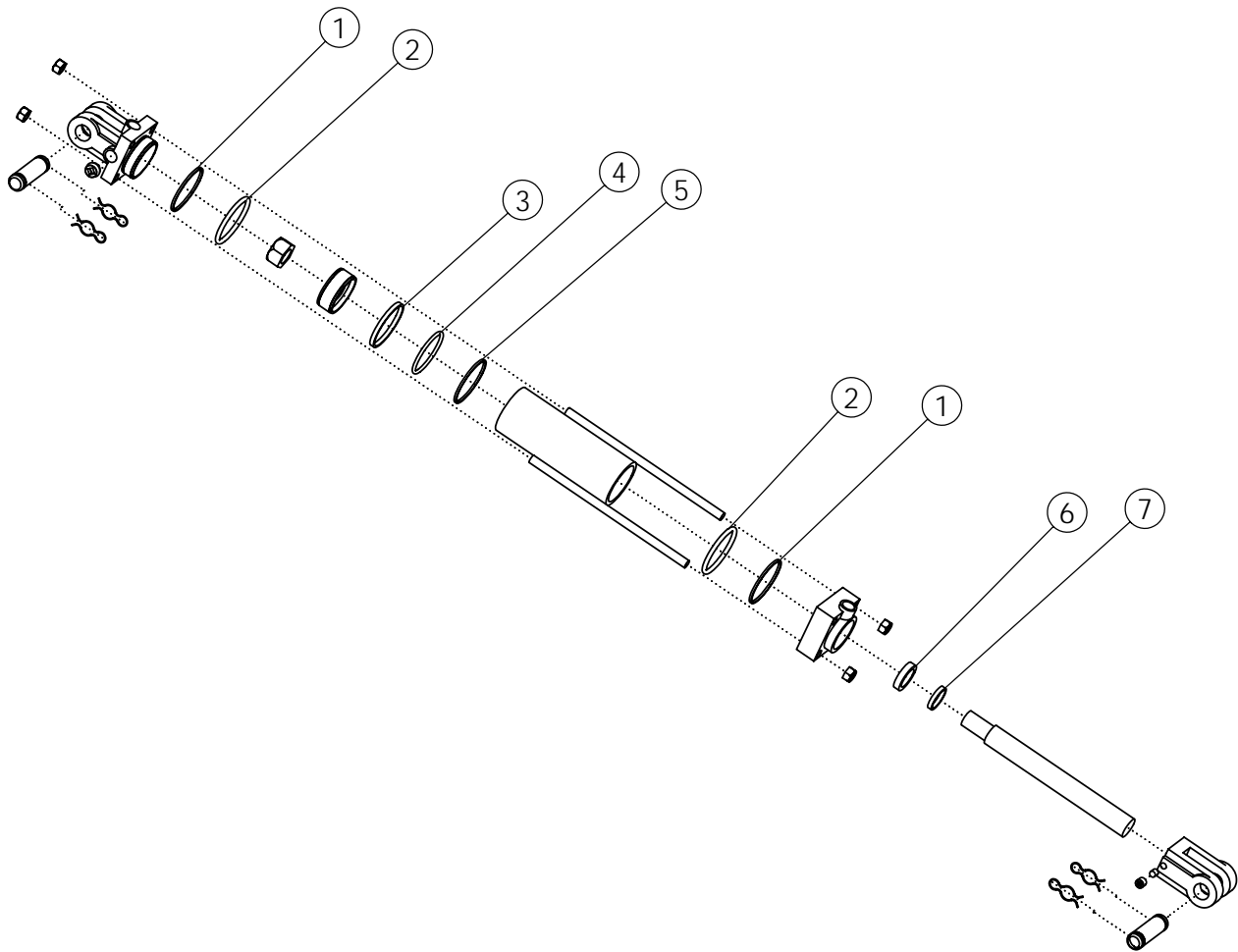
SIDE DRIVELINE #52397

ITEM	PART NO.	DESCRIPTION	QTY
21	54241	TRACTOR YOKE	2
22	54244	YOKE	2
23	63593	SHAFT-SPLINED	1
24	63594	TAPER PIN KIT	2
25	54235	CROSS KIT	2
26	55361	SNAP RING	8
27	54236	GREASE ZERK	2
28	63472	PIN-ROLL	1



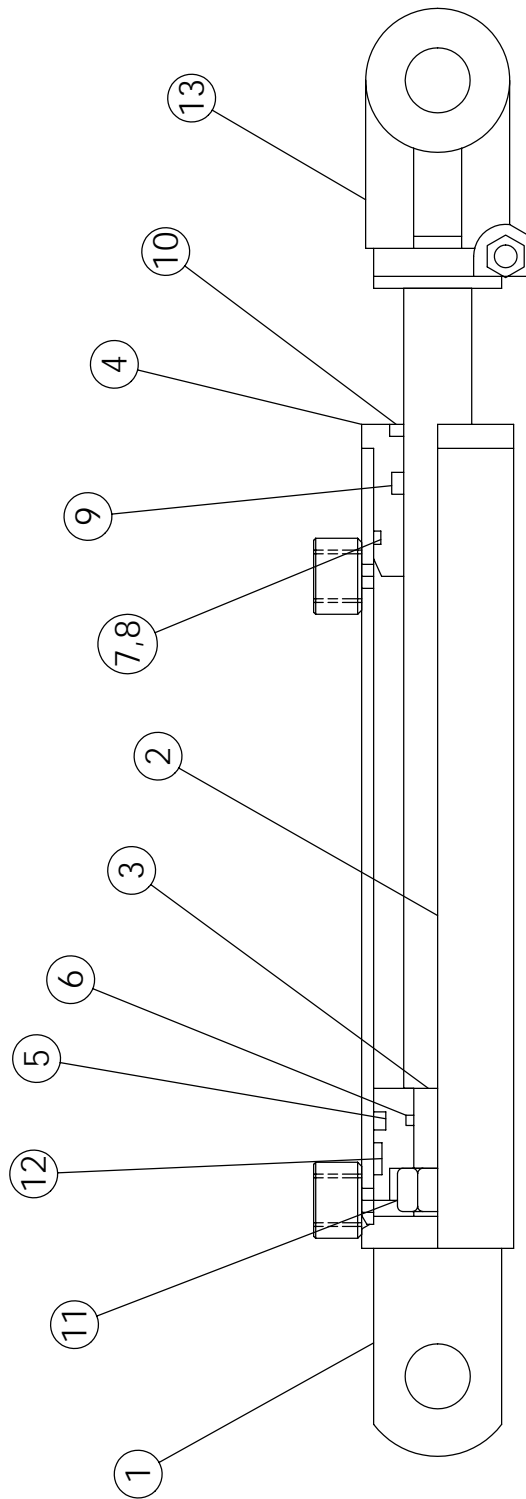
HYDRAULIC CYLINDER: 2X6 #58888

ITEM	PART NO.	DESCRIPTION	QTY
	59241	SEAL KIT - CYLINDER 2"; 3000 PSI	
1		BACKUP WASHER - END CAP	2
2		O-RING - END CAP	2
3		WEAR RING - PISTON	1
4		O-RING	1
5		PISTON SEAL	1
6		SEAL-ROD WIRE	1
7		SEAL-ROD DUST	1



HYDRAULIC CYLINDER: 4X8 #58891

ITEM	PART NO.	DESCRIPTION	QTY
	59244	SEAL KIT - CYLINDER 4"; 3000 PSI	1
1		BACKUP WASHER-END CAP	2
2		O-RING-END CAP	2
3		WEAR RING-PISTON	1
4		O-RING	1
5		PISTON SEAL	1
6		SEAL-ROD WIPER	1
7		SEAL-ROD DUST	1



MASTER CYLINDER: 2-1/4X8 #52343

ITEM	PART NO.	DESCRIPTION	QTY
1	1025516	TUBE	1
2	1025581	ROD	1
3	1022514	PISTON	1
4	1025513	GLAND	1
5	1025512*	PISTON SEAL (D)	1
6	1025527*	PISTON SEAL(S)	1
7	1025510*	GLAND SEAL	1
8	1025511*	BACKUP	1
9	1025524*	ROD SEAL	1
10	1025523*	WIPER	1
11	1025522	ROD NUT	1
12	1025521*	WEAR RING	1
13	1025520	CLEVIS	1

* ITEMS INCLUDED IN SEAL KIT

AMITY			
56264	SEAL KIT		1

SLAVE CYLINDER: 2X8 #52342

ITEM	PART NO.	DESCRIPTION	QTY
1	1025532	TUBE	1
2	1025531	ROD	1
3	1025530	PISTON	1
4	1022529	GLAND	1
5	1025528*	PISTON SEAL (D)	1
6	1025527*	PISTON SESAL (S)	1
7	1025526*	GLAND SEAL	1
8	1025525*	BACKUP	1
9	1025524*	ROD SEAL	1
10	1025523*	WIPER	1
11	1025522	ROD NUT	1
12	1025521*	WEAR RING	1
13	1025520	CLEVIS	1

* ITEMS INCLUDED IN SEAL KIT

AMITY			
56265	SEAL KIT		1